

I2FP-12 12.1" FRONT ALUMINUM LCD PANEL



- 12.1" industrial TFT LCD panel
- 6mm aluminum front bezel w/ 45° chamfer
- Rugged construction and modularized design
- OSD control keys to optimize the display
- Fits a wide range of mounting kits
- Suggested usage: industrial automation LCD panel, touch-screen display panel, embedded display unit, gaming, lottery & amusement display

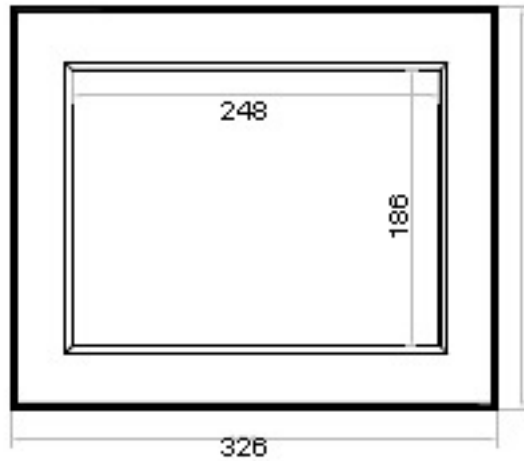
Specifications			
Max Resolution	800 x 600	Material	6mm aluminum (front panel), 1.2mm steel (rear case), 4mm protective glass
Brightness	400 cd/m2	Color	Front Panel: black, Back: dark grey
Color Support	262K	Input Video Signal	Analog RGB
Contrast Ratio	600 : 1	Video Level	Analog: 0.7Vp-p
Response Time	10 ms	Sync Type	Separate H/V, Composite H/V
Pixel Pitch	0.308 x 0.308	Input Connector	D-Sub 15 pin VGA analog
Display Area	246 x 185 mm (HxV)	Power Input	Auto-sensing 100 to 240VAC, 50/60 Hz via AC adapter
Viewing Angle	80° / 80° / 50° / 60° (L/R/U/D)	Power Consumption	Max. 40 watt, Standby 5 Watt
OSD Control	Color, brightness, phase & clock, auto-tune & recall, contrast, H & V position	Temperature	Operation: 0° to 50°C Storage: -5° to 60°C Relative Humidity: 5~90%, non-condensing
MTBF	50,000 hrs	Shock & Vibration	10G acceleration (11ms duration) 5~500Hz 1G RMS random vibration
Dimension	345 x 66 x 256 mm (w x d x h)	Package Dimension	558 x 105 x 473 mm (w x d x h)
Weight	3kg	Package Weight	5kg

Available Options

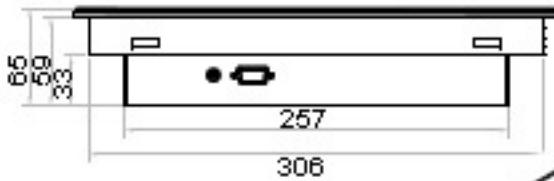
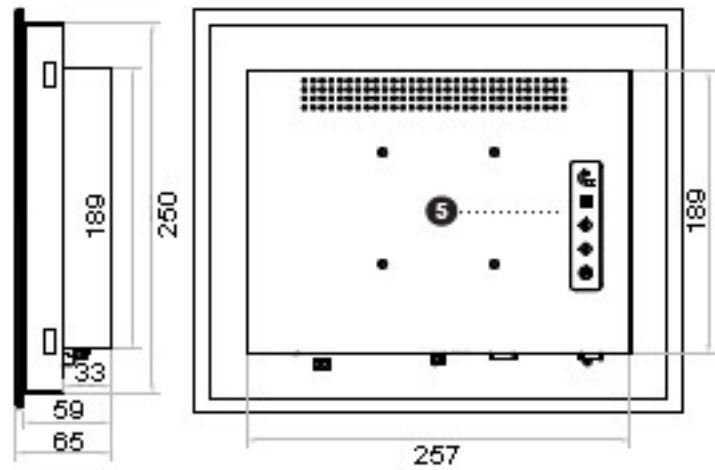
BNC + S-video
 TV tuner w/ remote controller,
 Touchscreen (USB or Serial, e-Resistive or e-Capacitive),
 DC power (12VCD / 24VCD / 48VCD)
 Audio input
 Standard remote controller

I2FP-12 12.1" Front Aluminum LCD Panel

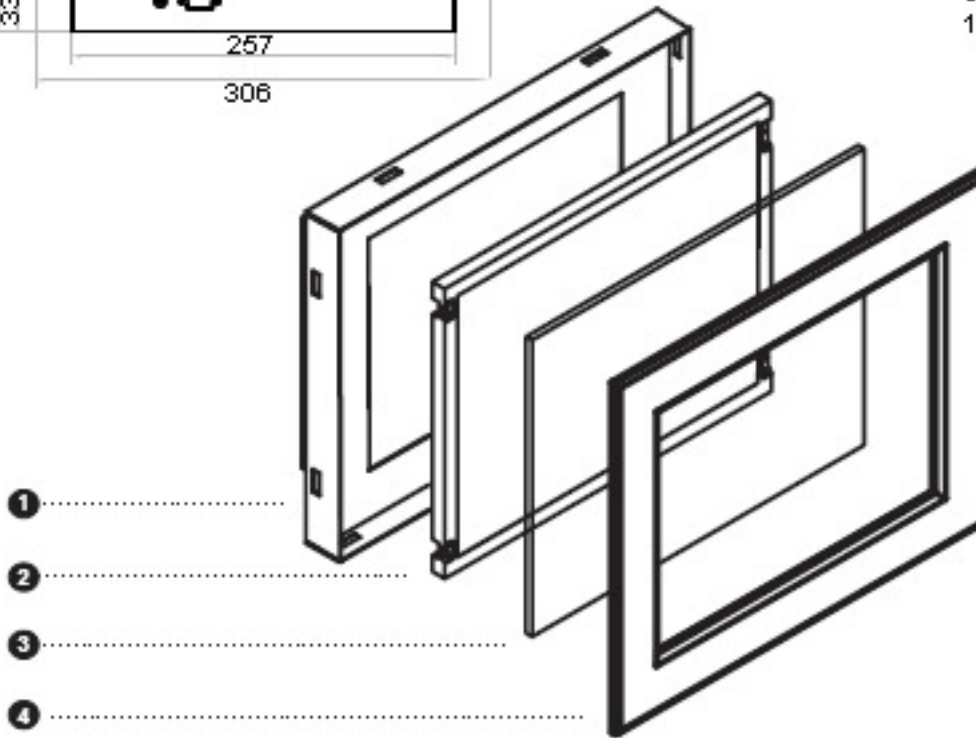
Front View



Rear View



UNIT : mm
1mm = 0.03937



- ① Rear case
- ② Class A TFT LCD panel
- ③ 4mm protective glass
- ④ 6mm aluminum front bezel
- ⑤ LCD membrane