

# I2FP-40W 40" WIDE SCREEN FRONT ALUMINUM LCD PANEL



- Wide 40" industrial TFT LCD panel
- 6mm aluminum front bezel w/ 45° chamfer
- OSD control keys to optimize the display
- Fits a wide range of mounting kits
- Suggested usage: industrial process control LCD panel, flight information display panel, point of sales / Kiosk, security / surveillance

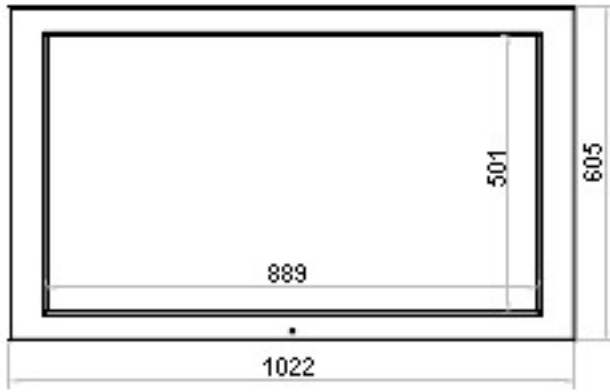
Specifications			
<b>Max Resolution</b>	1920 x 1080	<b>Material</b>	6mm aluminum (front panel), 1.2mm steel (rear case)
<b>Brightness</b>	450 cd/m2	<b>Color</b>	Front Panel: black, Back: dark grey
<b>Color Support</b>	16.7 Mil.	<b>Input Video Signal</b>	Analog RGB
<b>Contrast Ratio</b>	4000 : 1	<b>Video Level</b>	Analog: 0.7Vp-p
<b>Sync Type</b>	Separate H/V, Composite H/V	<b>Video Input</b>	HDMI, Component (Y+Pb+Pr), S-Video and Composite
<b>Response Time</b>	8 ms	<b>Video Connectors</b>	HDMI, RCA x 3, S-Video (Mini-DIN 4), RCA
<b>Pixel Pitch</b>	0.461 x 0.461	<b>Input Connector</b>	D-Sub 15 pin VGA analog
<b>Display Area</b>	886 x 498 mm (HxV)	<b>Power Input</b>	Auto-sensing 100 to 240VAC, 50/60 Hz via AC adapter
<b>Viewing Angle</b>	89° / 89° / 89° / 89° (L/R/U/D)	<b>Power Consumption</b>	Max. 200 watt, Standby 20 Watt
<b>OSD Control</b>	Color, brightness, phase & clock, auto-tune & recall, contrast, H & V position	<b>Temperature</b>	Operation: 0° to 50°C Storage: -5° to 60°C Relative Humidity: 5~90%, non-condensing
<b>MTBF</b>	50,000 hrs	<b>Shock &amp; Vibration</b>	10G acceleration (11ms duration) 5~500Hz 1G RMS random vibration
<b>Dimension</b>	1022 x 136.6 x 605 mm (w x d x h)	<b>Package Dimension</b>	1142 x 261 x 725 mm (w x d x h)
<b>Weight</b>	45kg	<b>Package Weight</b>	60kg

## Available Options

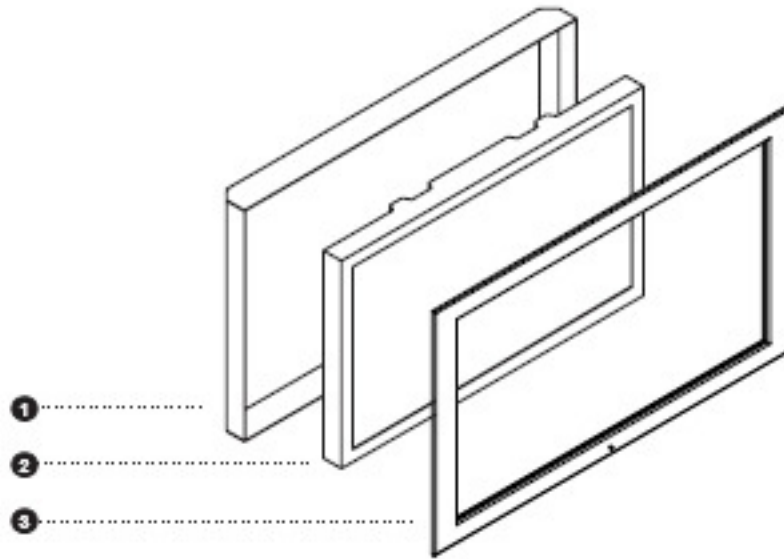
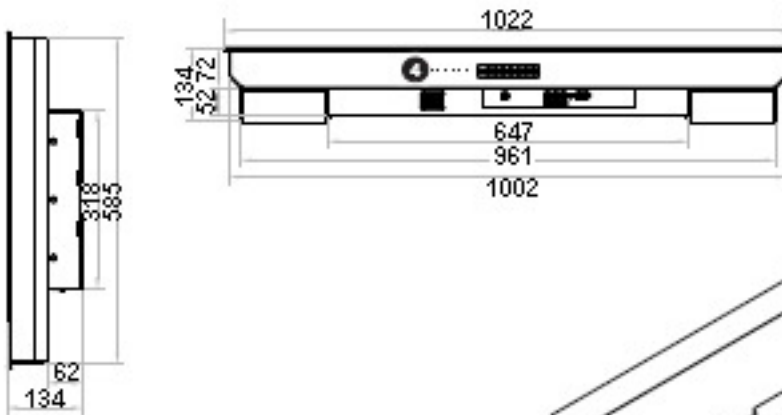
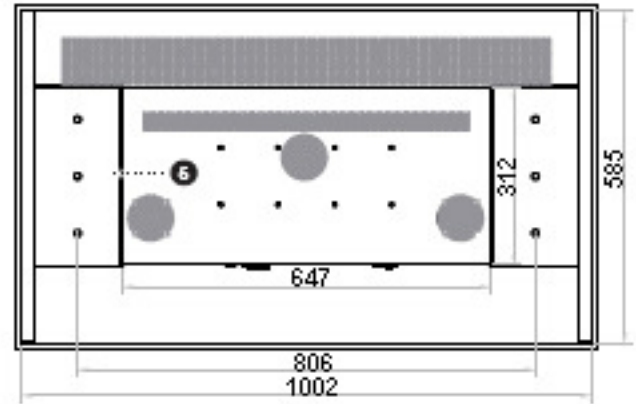
TV tuner  
Quad display

# I2FP-40W 40" Wide Screen Front Aluminum LCD Panel

Front View



Rear View



- ① Rear case
- ② SAMSUNG LCD panel
- ③ 6mm aluminum front bezel
- ④ LCD membrane
- ⑥ Wall-mount bracket