

I4FP-6 6.5" HIGH BRIGHTNESS OPEN FRAME LCD PANEL

High Brightness



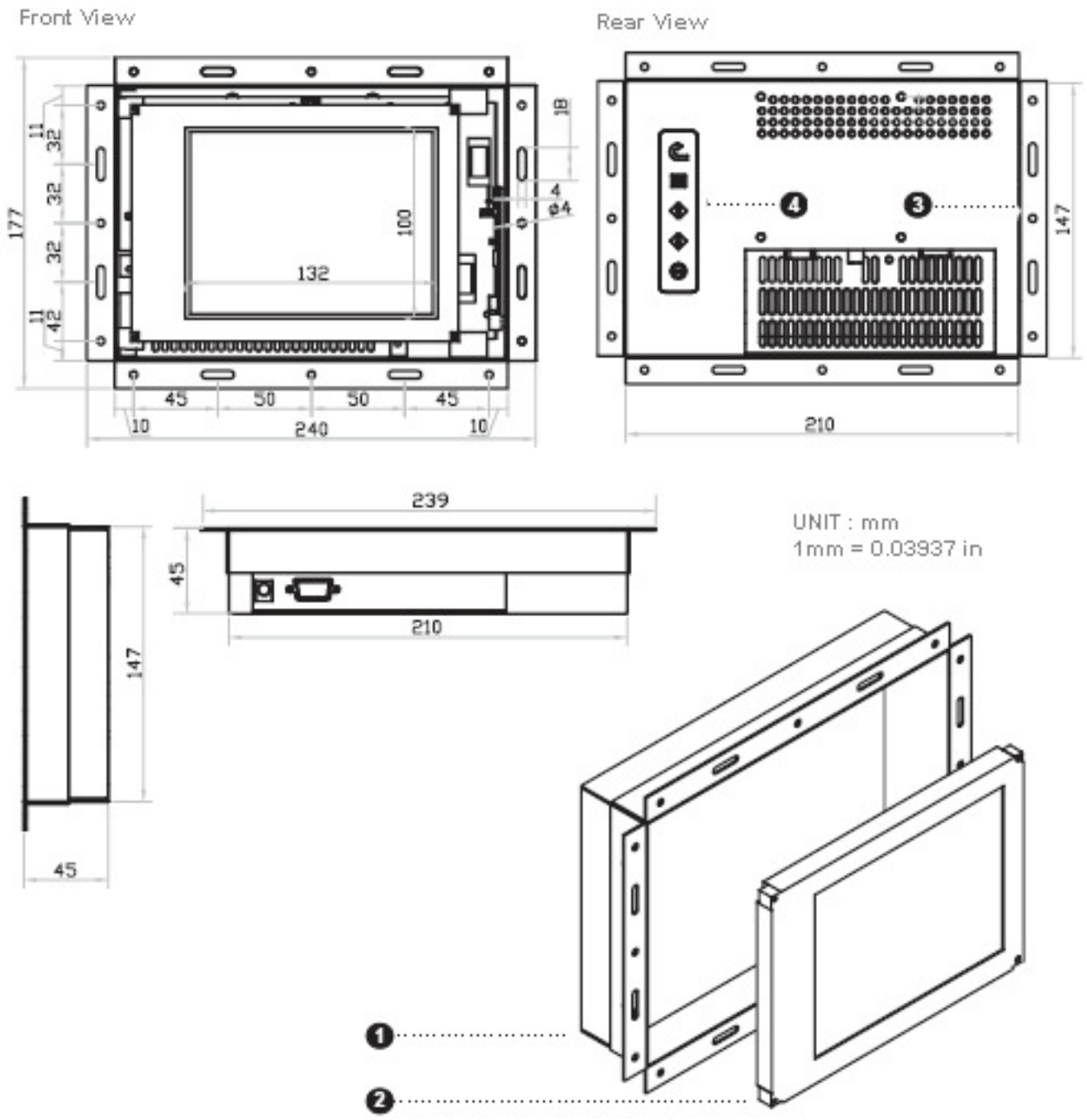
- 6.5" industrial TFT LCD panel
- Universal open frame mounting for various applications
- OSD control keys to optimize the display
- Fits a wide range of mounting kits
- Suggested usage: industrial process control, point of sales / Kiosk, security / surveillance, touchscreen display panel

Specifications			
Max Resolution	640 x 480	Material	1.2mm steel
Brightness	1000 cd/m2	Color	Black
Color Support	262K	Input Video Signal	Analog RGB
Contrast Ratio	550 : 1	Video Level	Analog: 0.7Vp-p
Response Time	15 ms	Sync Type	Separate H/V, Composite H/V
Pixel Pitch	0.069 x 0.207	Input Connector	D-Sub 15 pin VGA analog
Display Area	132 x 99 mm (HxV)	Power Input	Auto-sensing 100 to 240VAC, 50/60 Hz via AC adapter
Viewing Angle	70° / 70° / 60° / 60° (L/R/U/D)	Power Consumption	Max. 48 watt, Standby 5 Watt
OSD Control	Color, brightness, phase & clock, auto-tune & recall, contrast, H & V position	Temperature	Operation: 0° to 50°C Storage: -5° to 60°C Relative Humidity: 5~90%, non-condensing
MTBF	50,000 hrs	Shock & Vibration	10G acceleration (11ms duration) 5~500Hz 1G RMS random vibration
Dimension	252 x 59 x 179 mm (w x d x h)	Package Dimension	523 x 100 x 403 mm (w x d x h)
Weight	1.5kg	Package Weight	3.5kg

Available Options

BNC + S-video
 TV tuner w/ remote controller
 Touchscreen (USB or Serial, e-Resistive or e-Capacitive)
 DC power (12VCD / 24VCD / 48VCD)
 Audio input
 Standard remote controller
 Anti-reflective film
 Optical bonding

I4FP-6 6.5” High Brightness Open Frame LCD Panel



- ① Rear case
- ② Class A TFT LCD panel
- ③ Universal open frame mounting
- ④ LCD membrane