

# I7FP-6 6.5" HIGH BRIGHTNESS FRONT ALUMINUM LCD PANEL

## High Brightness



- 6.5" industrial TFT LCD panel
- 6mm aluminum front bezel w/ 45° chamfer
- Rugged construction and modularized design
- OSD control keys to optimize the display
- Fits a wide range of mounting kits
- Suggested usage: industrial automation LCD panel, touchscreen display panel, embedded display unit, gaming, lottery & amusement display

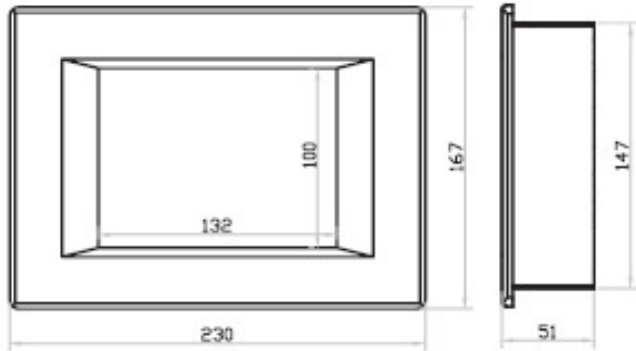
| Specifications        |  |                              |   |
|-----------------------|--|------------------------------|---|
| <b>Max Resolution</b> | 640 x 480  | <b>Material</b>              | 6mm aluminum (front panel), 1.2mm steel (rear case), 4mm protective glass                 |
|                       |  | <b>Finish</b>                | Powder coating  |
| <b>Brightness</b>     | 1000 cd/m2   | <b>Color</b>                 | Front Panel: black, Back: dark grey   |
| <b>Color Support</b>  | 262K   | <b>Input Video Signal</b>    | Analog RGB  |
| <b>Contrast Ratio</b> | 550 : 1  | <b>Video Level</b>           | Analog: 0.7Vp-p   |
| <b>Response Time</b>  | 15 ms  | <b>Sync Type</b>             | Separate H/V, Composite H/V   |
| <b>Pixel Pitch</b>    | 0.069 x 0.207  | <b>Input Connector</b>       | D-Sub 15 pin VGA analog   |
| <b>Display Area</b>   | 132 x 99 mm (HxV)  | <b>Power Input</b>           | Auto-sensing 100 to 240VAC, 50/60 Hz via AC adapter                                       |
| <b>Viewing Angle</b>  | 70° / 70° / 60° / 60° (L/R/U/D)  | <b>Power Consumption</b>     | Max. 48 watt, Standby 5 Watt  |
| <b>OSD Control</b>    | Color, brightness, phase & clock, auto-tune & recall, contrast, H & V position | <b>Temperature</b>           | Operation: 0° to 50°C<br>Storage: -5° to 60°C<br>Relative Humidity: 5~90%, non-condensing |
| <b>MTBF</b>           | 50,000 hrs   | <b>Shock &amp; Vibration</b> | 10G acceleration (11ms duration)<br>5~500Hz 1G RMS random vibration                       |
| <b>Dimension</b>      | 255 x 66 x 182 mm (w x d x h)  | <b>Package Dimension</b>     | 523 x 100 x 403 mm (w x d x h)  |
| <b>Weight</b>         | 1.5kg  | <b>Package Weight</b>        | 3.5kg   |

## Available Options

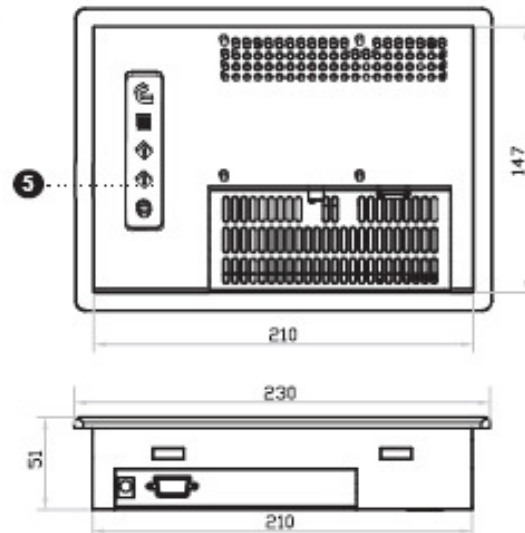
BNC + S-video  
 TV tuner w/ remote controller  
 Touchscreen (USB or Serial, e-Resistive or e-Capacitive)  
 DC power (12VCD / 24VCD / 48VCD)  
 Audio input  
 Standard remote controller  
 Anti-reflective film  
 Optical bonding

# I7FP-6 6.5" High Brightness Front Aluminum LCD Panel

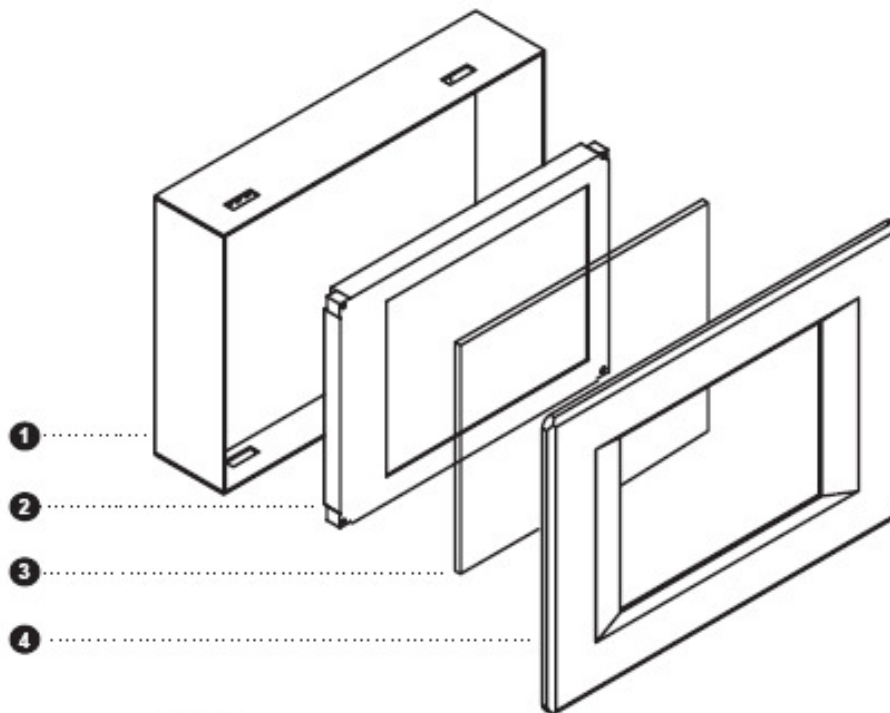
Front View



Rear View



UNIT : mm  
1mm = 0.03937 inch



- ① Rear case
- ② Class A TFT LCD panel
- ③ 4mm protective glass
- ④ 6mm aluminum front bezel
- ⑤ LCD membrane