

LM1P-17H - 1U 17" HIGH BRIGHT LCD DRAWER

High Brightness



- 17" TFT panel display
- 1U form factor
- Long lifetime up to 70,000 hrs
- Minimum EMI emissions
- High shock and vibration resistance
- Mercury free
- LED technology
- 800 nits high brightness
- Low power consumption
- Slim size
- Operation temperature as low as -20C

Specifications

	LM1P-17H
Max Resolution	1280 x 1024
Brightness & Color Support	800 cd/m2 & 16.7M
Contrast Ratio & Viewing Angle	800:1 typ. & 160°H x 160°V
Response Time & MTBF	3.5ms & 70,000hrs
Power Input	Auto-sensing 100 to 240VAC, 50 / 60 Hz
Power Consumption	Max. 48 Watt, standby 5 Watt
Compatibility	Mix PCs, SUNs, IBMs, HPs & DELLs
Plug & Play DDC	EDID 1.3
VGA Signal Input	Analog RGB, 0.7Vp-p
Sync. Type	Separate H/V, Composite, SOG

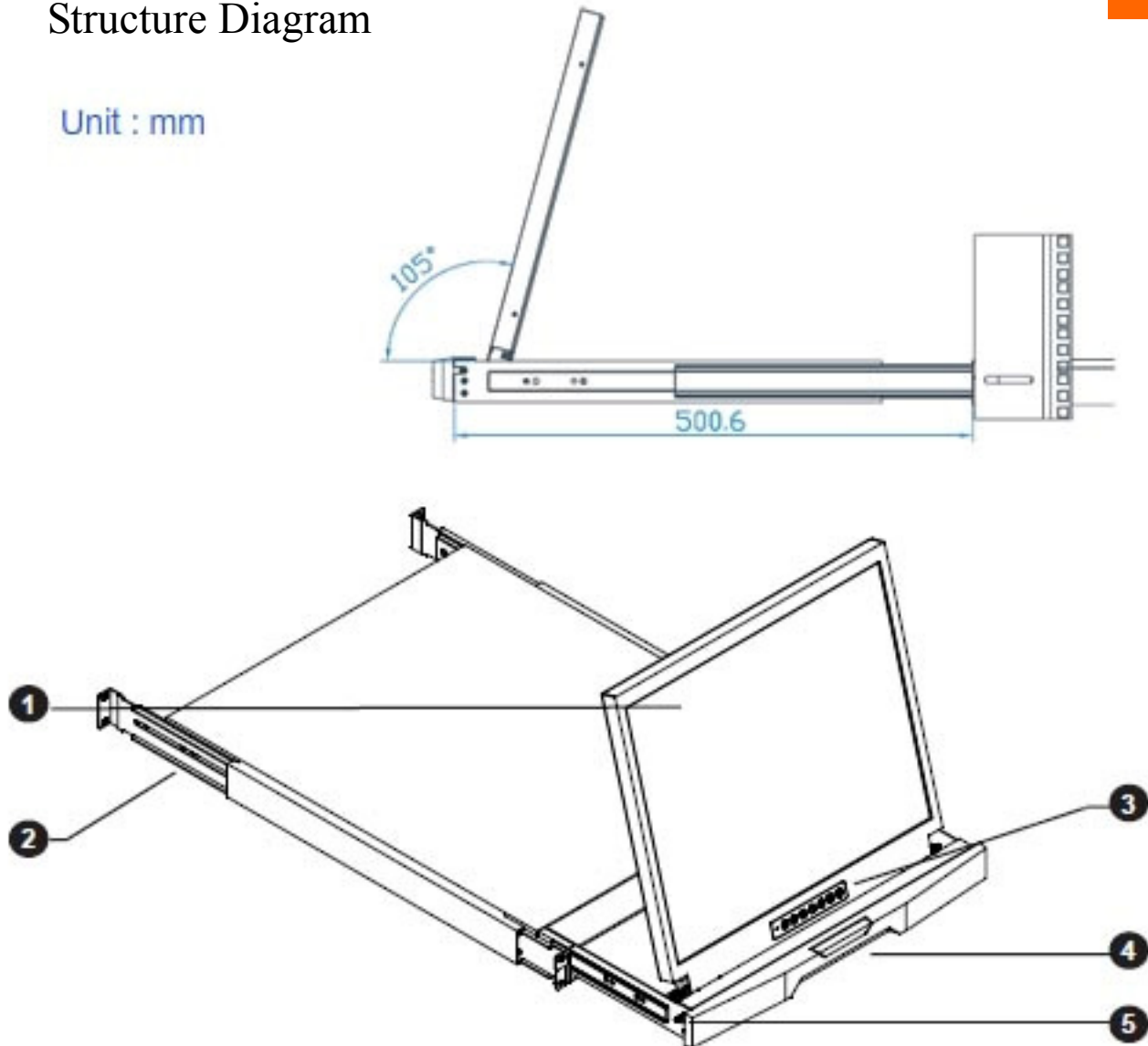
Available Options

AV Inputs	BNC + S-Video, DVI-D, HDMI
DC Power	12V / 24V / 48V
Touchscreen	Resistive or Capacitive
Screen Protection	NEMA 4
Display	Quad display option
Audio	Audio input option

LM1P-17H - 1U 17" High Bright LCD Drawer

Structure Diagram

Unit : mm



- ① LCD interchangeable module kit
- ② "One Man" Installation Slide
- ③ LCD membrane
- ④ Carry handle to release the 2-pt lock
- ⑤ 2-point lock

Model	Product Dimension (WxDxH) (in.)	Packing Dimension (WxDxH) (in.)	Gross Weight (kg / lb)	Net Weight (kg / lb)
LM1P-17H	17.4 x 23.6 x 1.73	22.9 x 29.7 x 6.8	17 / 37	12 / 26