

# LM1P-17QD - 1U 17" QUAD DISPLAY DRAWER

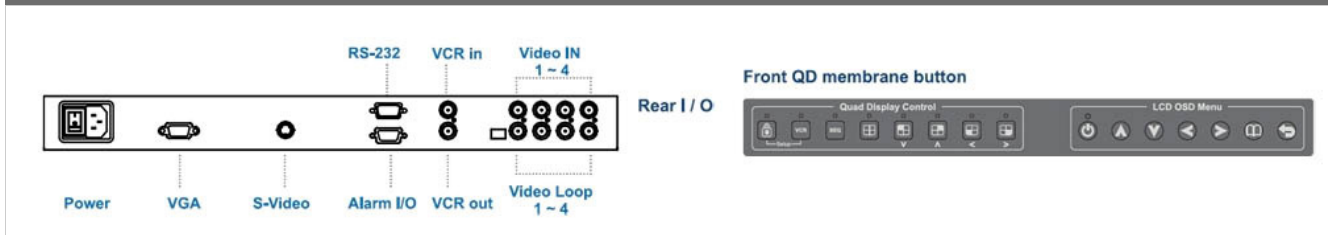


- 17" TFT panel display
- Built-in quad display
- Ideal for CCTV security & industrial control
- Easy and quick installation. Only require one man
- Sliding LCD allowing LCD to remain open when the rack door is closed

## Specifications

	LM1P-17QD
Max Resolution	1280 x 1024
Brightness & Color Support	250 cd/m2 & 16.7M
Contrast Ratio & Viewing Angle	1000:1 typ. & 160°H x 160°V
Response Time & MTBF	1.3ms & 50,000hrs
Power Input	Auto-sensing 100 to 240VAC, 50 / 60 Hz
Power Consumption	Max. 48 Watt, standby 5 Watt
Compatibility	Mix PCs, SUNs, IBMs, HPs & DELLs
Plug & Play DDC	EDID 1.3
VGA Signal Input	Analog RGB, 0.7Vp-p
Sync. Type	Separate H/V, Composite, SOG

## Quad Display



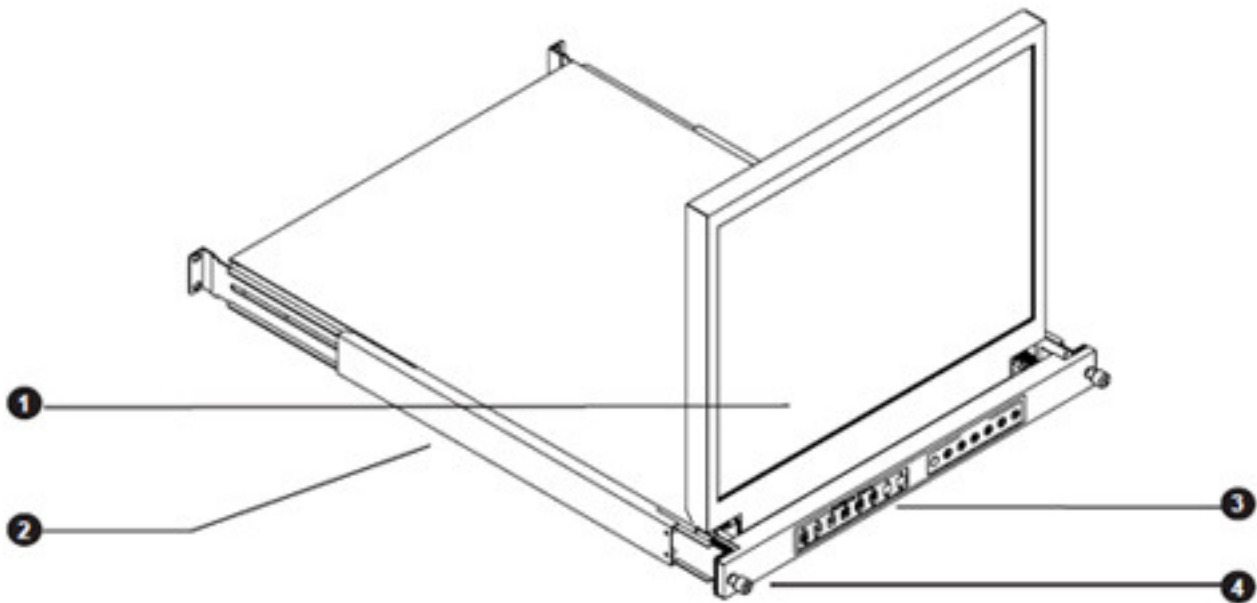
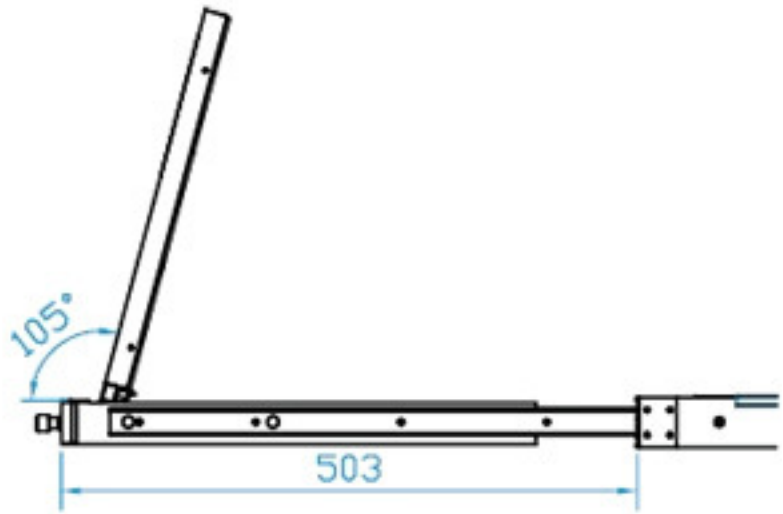
## Available Options

DC Power	12V / 24V / 48V
----------	-----------------

# LM1P-17QD - 1U 17" Quad Display Drawer

## Structure Diagram

Unit : mm



① LCD interchangeable module kit

② "One Man" Installation Slides

③ LCD + Quad display membrane

④ Thumb Screw

Model	Product Dimension (WxDxH) (in.)	Packing Dimension (WxDxH) (in.)	Gross Weight (kg / lb)	Net Weight (kg / lb)
LM1P-17QD	17.4 x 23.6 x 1.73	22.9 x 29.7 x 6.8	17 / 37	12 / 26