

LM1P-19W - 1U 19" RACK MOUNT WIDESCREEN LCD DRAWER



- Widescreen 19" TFT display
- 1440 x 900 max resolution
- 1U form factor
- Available options: BNC+S-Video, DVI-D, HDMI, DC Power, audio, quad display
- Power cords for different countries are available

Specifications

| | LM1P-19W |
|--------------------------------|--|
| Max Resolution | 1440 x 900 |
| Brightness & Color Support | 300 cd/m2 & 16.7M |
| Contrast Ratio & Viewing Angle | 1000:1 typ. & 160°H x 160°V |
| Response Time & MTBF | 1.3ms & 50,000hrs |
| Power Input | Auto-sensing 100 to 240VAC, 50 / 60 Hz |
| Power Consumption | Max. 48 Watt, standby 5 Watt |
| Compatibility | Mix PCs, SUNs, IBMs, HPs & DELLs |
| Combo Console Port | DB-15 connector |
| Plug & Play DDC | EDID 1.3 |
| VGA Signal Input | Analog RGB, 0.7Vp-p |

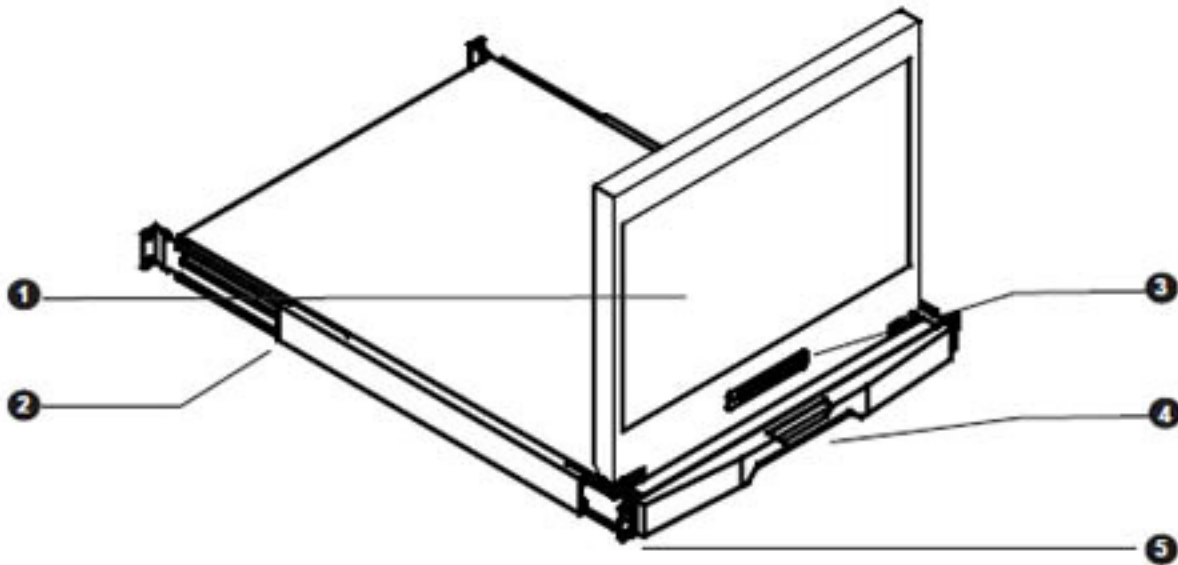
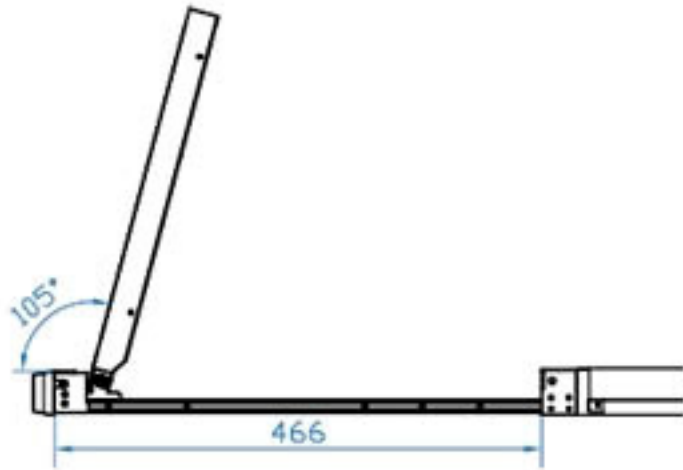
Available Options

| | |
|---------------|---|
| Graphic Input | DVI-D, BNC & S-Video, HDMI and Quad display input |
| DC Power | 12V / 24V / 48V |
| Audio | 35mm audio plug |
| Touchscreen | Resistive & capacitive option available |

LM1P-19W - 1U 19" Rack Mount Widescreen LCD Drawers

Structure Diagram

Unit : mm



- ① LCD interchangeable module kit
- ② "One Man" Installation Slide
- ③ LCD membrane
- ④ Carry handle to release the 2-pt lock
- ⑤ 2-point lock

| Model | Product Dimension (WxDxH) (in.) | Packing Dimension (WxDxH) (in.) | Gross Weight (kg / lb) | Net Weight (kg / lb) |
|----------|---------------------------------|---------------------------------|------------------------|----------------------|
| LM1P-19W | 17.4 x 25.6 x 1.73 | 22.9 x 29.7 x 6.8 | 18 / 40 | 13 / 29 |