

LM1P-19WQ - 1U 19” WIDESCREEN QUAD DISPLAY DRAWER

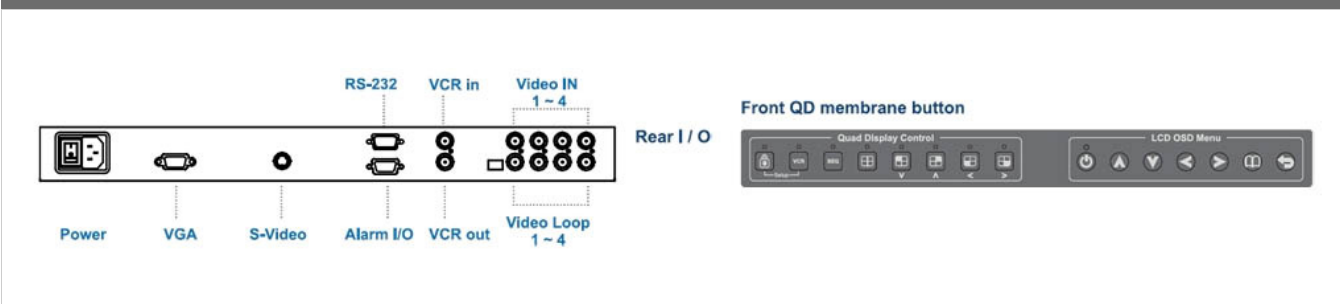


- Widescreen 19” TFT quad display
- Built-in quad display
- 1440 x 900 max resolution
- 8U form factor
- Available options: HDMI, DC Power
- Power cords for different countries are available

Specifications

	LM1P-19WQ
Max Resolution	1440 x 900
Brightness & Color Support	300 cd/m2 & 16.7M
Contrast Ratio & Viewing Angle	1000:1 typ. & 160°H x 160°V
Response Time & MTBF	1.3ms & 50,000hrs
Power Input	Auto-sensing 100 to 240VAC, 50 / 60 Hz
Power Consumption	Max. 48 Watt, standby 5 Watt
Compatibility	Mix PCs, SUNs, IBMs, HPs & DELLs
Plug & Play DDC	EDID 1.3
VGA Signal Input	Analog RGB, 0.7Vp-p
Sync. Type	Separate H/V, Composite, SOG

Quad Display



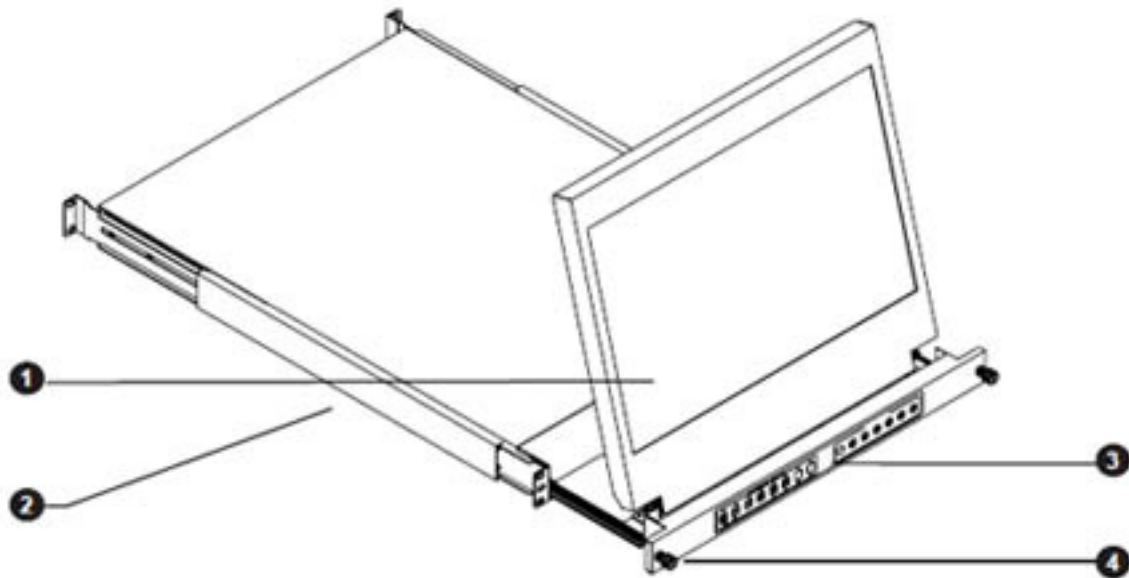
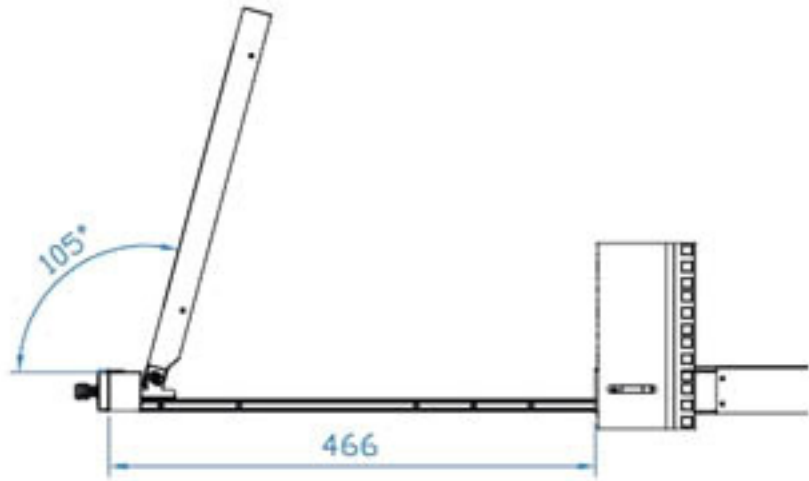
Available Options

Graphic Input	HDMI
DC Power	12V / 24V / 48V

LM1P-19WQ - 1U 19" Widescreen Quad Display Drawer

Structure Diagram

Unit : mm



① LCD interchangeable module kit

② "One Man" Installation Slides

③ LCD + Quad display membrane

④ Thumb Screw

Model	Product Dimension (WxDxH) (in.)	Packing Dimension (WxDxH) (in.)	Gross Weight (kg / lb)	Net Weight (kg / lb)
LM1P-19WQ	17.5 x 25.6 x 1.73	22.9 x 29.7 x 6.8	18 / 40	13 / 29