

LM7P-19HW - 7U 19" WIDESCREEN HIGH BRIGHT LCD DISPLAY



High Brightness



- 19" TFT widescreen panel display
- 7U form factor
- Long lifetime up to 70,000 hrs
- Minimum EMI emissions
- High shock and vibration resistance
- Mercury free
- LED technology
- 800 nits high brightness
- Low power consumption
- Slim size
- Operation temperature as low as -20C

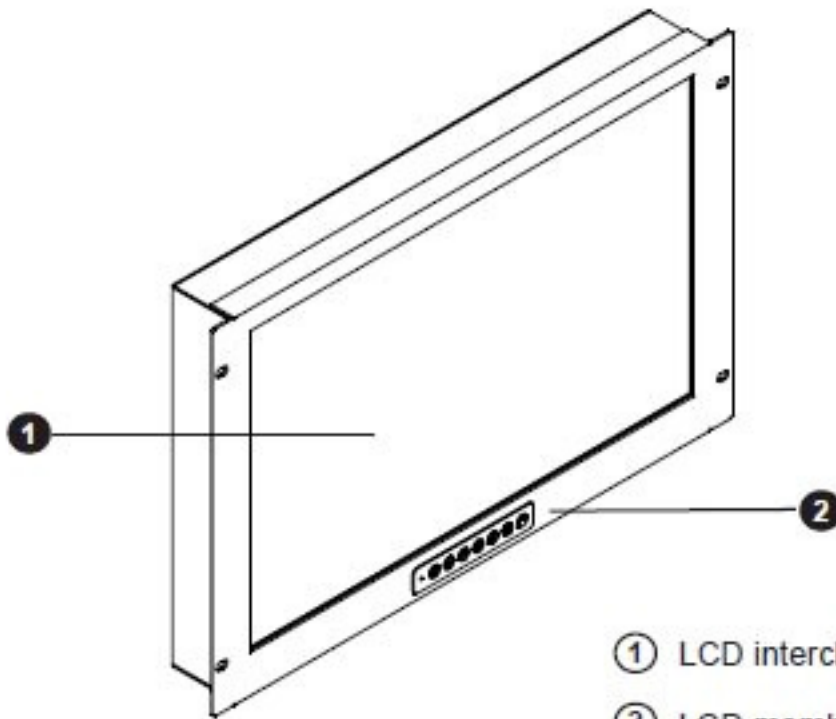
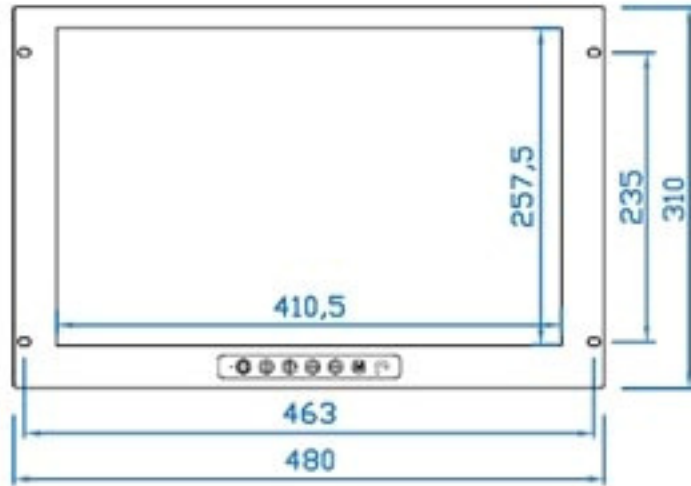
Specifications	
	LM7P-19HW
Max Resolution	1440 x 900
Brightness & Color Support	800 cd/m2 & 16.7M
Contrast Ratio & Viewing Angle	900:1 typ. & 160°H x 160°V
Response Time & MTBF	1.3ms & 70,000hrs
Power Input	Auto-sensing 100 to 240VAC, 50 / 60 Hz
Power Consumption	Max. 48 Watt, standby 5 Watt
Compatibility	Mix PCs, SUNs, IBMs, HPs & DELLs
Plug & Play DDC	EDID 1.3
VGA Signal Input	Analog RGB, 0.7Vp-p
Sync. Type	Separate H/V, Composite, SOG

Available Options	
AV Inputs	BNC + S-Video, DVI-D, HDMI
DC Power	12V / 24V / 48V
Touchscreen	Resistive or Capacitive
Screen Protection	NEMA 4
Display	Quad display option
Audio	Audio input option

LM7P-19HW - 7U 19" Widescreen High Bright LCD Display

Structure Diagram

Unit : mm



- ① LCD interchangeable module kit
- ② LCD membrane

Model	Product Dimension (WxDxH) (in.)	Packing Dimension (WxDxH) (in.)	Gross Weight (kg / lb)	Net Weight (kg / lb)
LM7P-19HW	18.9 x 2.3 x 12.2	22.2 x 19.5 x 6.1	10 / 22	8 / 18