

LM7RP17 - 7U 17" LCD DISPLAY PANEL



- 17" TFT panel display
- 1280 x 1024 max. resolution
- Ideal for CCTV security & industrial control
- Stylish 6mm cast aluminum front panel

Specifications

	LM7RP17
Max Resolution	1280 x 1024
Brightness & Color Support	250 cd/m2 & 16.7M
Contrast Ratio & Viewing Angle	1000:1 typ. & 160°H x 160°V
Response Time & MTBF	1.3ms & 50,000hrs
Power Input	Auto-sensing 100 to 240VAC, 50 / 60 Hz
Power Consumption	Max. 48 Watt, standby 5 Watt
Compatibility	Mix PCs, SUNs, IBMs, HPs & DELLs
Plug & Play DDC	EDID 1.3
VGA Signal Input	Analog RGB, 0.7Vp-p
Sync. Type	Separate H/V, Composite, SOG

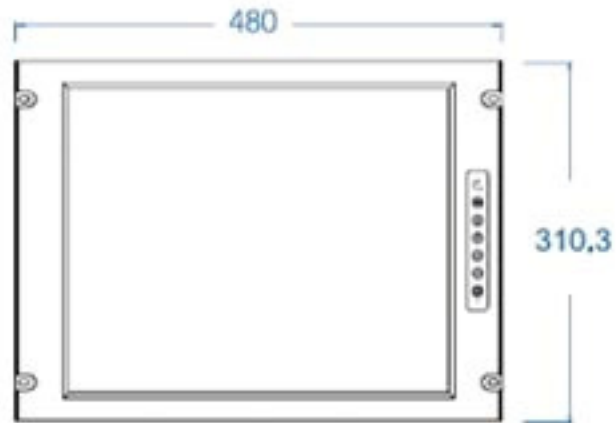
Available Options

Graphic Input	BNC + S-Video, DVI-D, HDMI
DC Power	12V / 24V / 48V
Touchscreen	Capacitive or Resistive touchscreen available
Audio	35mm audio plug
Quad Display	Quad display available
Protection	NEMA 4 / IP65 4mm thickness of protective glass

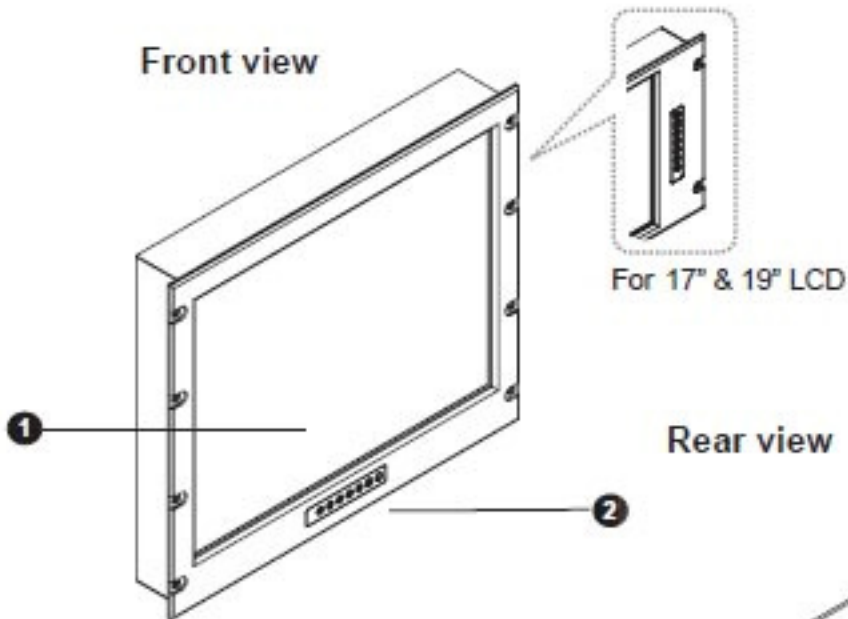
LM7RP17 - 1U 17" LCD Display Panel

Structure Diagram

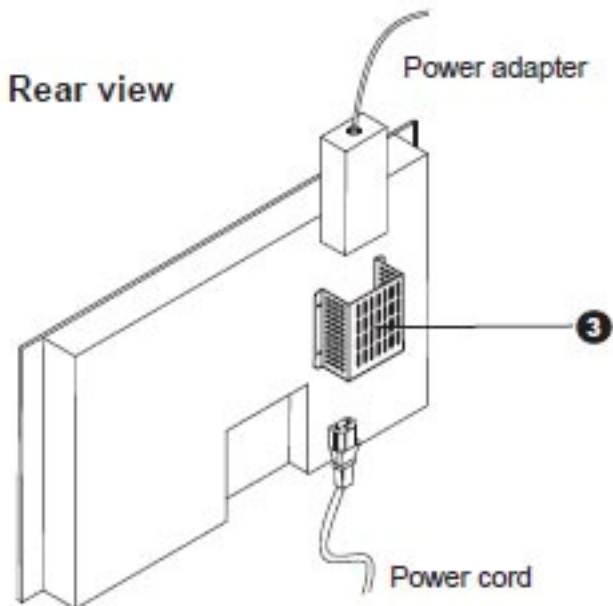
Unit : mm



Front view



Rear view



- ① LCD interchangeable module kit
- ② LCD membrane
- ③ Power adapter bracket

Model	Product Dimension (WxDxH) (in.)	Packing Dimension (WxDxH) (in.)	Gross Weight (kg / lb)	Net Weight (kg / lb)
LM7RP17	18.9 x 2.1 x 12.2	22.2 x 17.7 x 6.1	8.5 / 19	7 / 15