

# LM7SP17 - 7U 17" SUN LCD DISPLAY PANEL



- 17" TFT panel display
- Direct support for SUN Micro 1152 x 900 native resolution
- Stylish 6mm cast aluminum front panel

Specifications	
	LM7SP17
Max Resolution	1280 x 1024 (Native) 1152 x 900 (Direct)
Brightness & Color Support	250 cd/m2 & 16.7M
Contrast Ratio & Viewing Angle	1000:1 typ. & 160°H x 160°V
Response Time & MTBF	1.3ms & 50,000hrs
Power Input	Auto-sensing 100 to 240VAC, 50 / 60 Hz
Power Consumption	Max. 48 Watt, standby 5 Watt
Compatibility	Mix PCs, SUNs, IBMs, HPs & DELLs
Plug & Play DDC	EDID 1.3
VGA Signal Input	Analog RGB, 0.7Vp-p
Sync. Type	Separate H/V, Composite, SOG

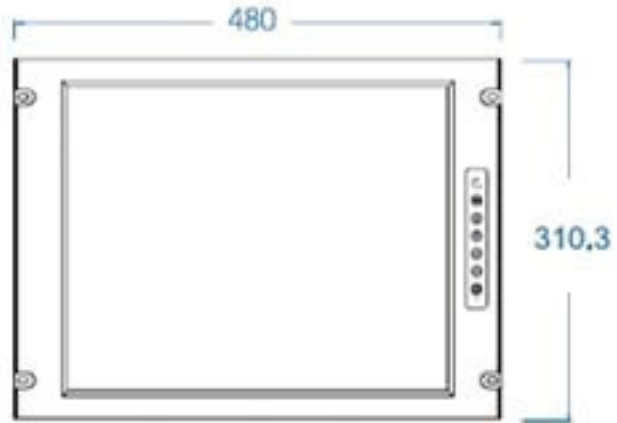
Available Options	
Graphic Input	DVI-D, HDMI
DC Power	12V / 24V / 48V

Website: [www.RackLCDNet.com](http://www.RackLCDNet.com) Email: [sales@racklcdnet.com](mailto:sales@racklcdnet.com) Tel: 510-656-1718 Fax: 510-279-6100

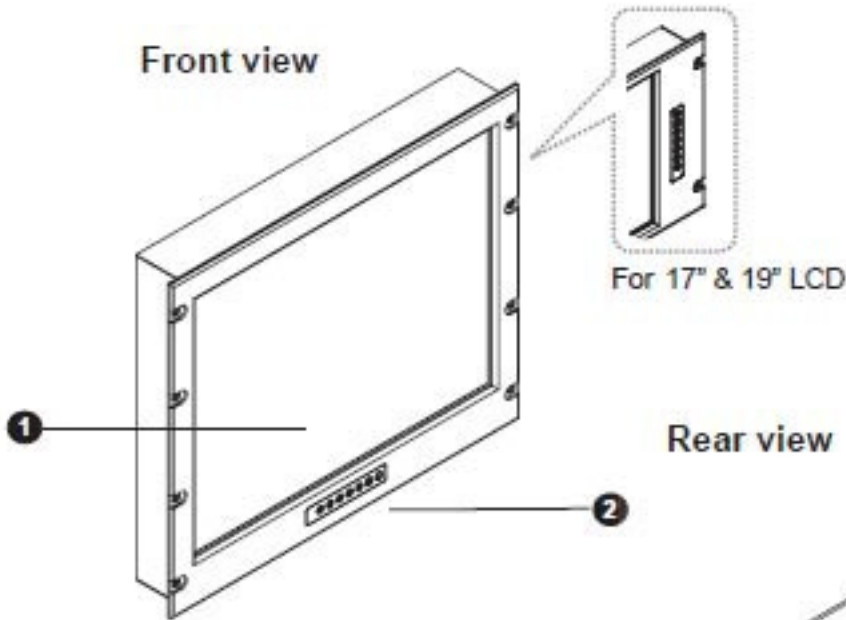
# LM7SP17 - 7U 17" SUN LCD Display Panel

## Structure Diagram

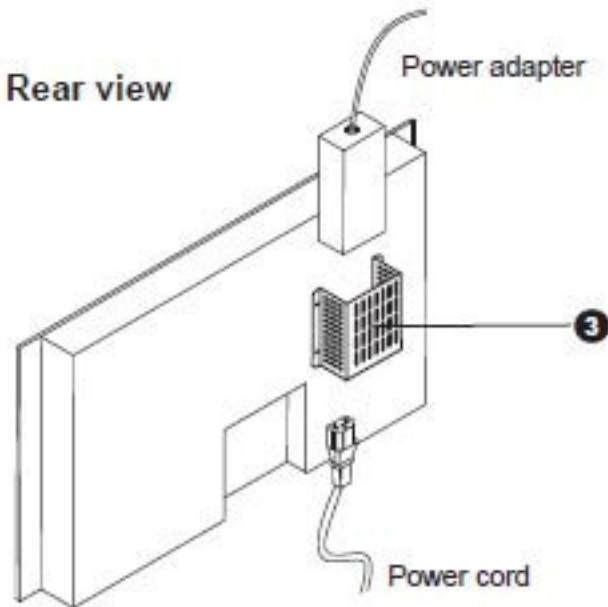
Unit : mm



### Front view



### Rear view



- ① LCD interchangeable module kit
- ② LCD membrane
- ③ Power adapter bracket

Model	Product Dimension (WxDxH) (in.)	Packing Dimension (WxDxH) (in.)	Gross Weight (kg / lb)	Net Weight (kg / lb)
LM7SP17	18.9 x 2.2 x 12.2	22.2 x 17.7 x 6.1	8.5 / 19	7 / 15