

LM9SP20 - 9U 20" SUN LCD DISPLAY PANEL



- 20" TFT panel display
- 1600x 1200 max resolution
- Direct support for SUN Micro 1152 x 900 native resolution
- Stylish 6mm cast aluminum front panel

Specifications	
	LM9SP20
Max Resolution	1600 x 900 (Native) 1152 x 900 (Direct)
Brightness & Color Support	300 cd/m2 & 16.7M
Contrast Ratio & Viewing Angle	800:1 typ. & 178°H x 178°V
Response Time & MTBF	7ms & 45,000hrs
Power Input	Auto-sensing 100 to 240VAC, 50 / 60 Hz
Power Consumption	Max. 48 Watt, standby 5 Watt
Compatibility	Mix PCs, SUNs, IBMs, HPs & DELLs
Plug & Play DDC	EDID 1.3
VGA Signal Input	Analog RGB, 0.7Vp-p
Sync. Type	Separate H/V, Composite, SOG

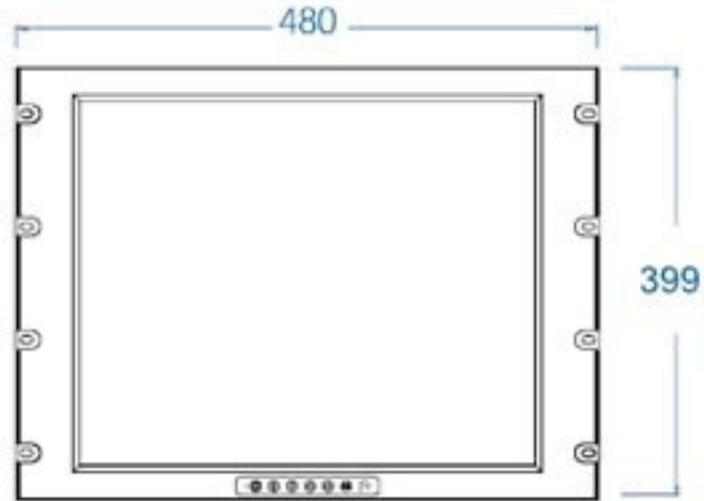
Available Options	
Graphic Input	DVI-D, HDMI
DC Power	12V / 24V / 48V

Website: www.RackLCDNet.com Email: sales@racklcdnet.com Tel: 510-656-1718 Fax: 510-279-6100

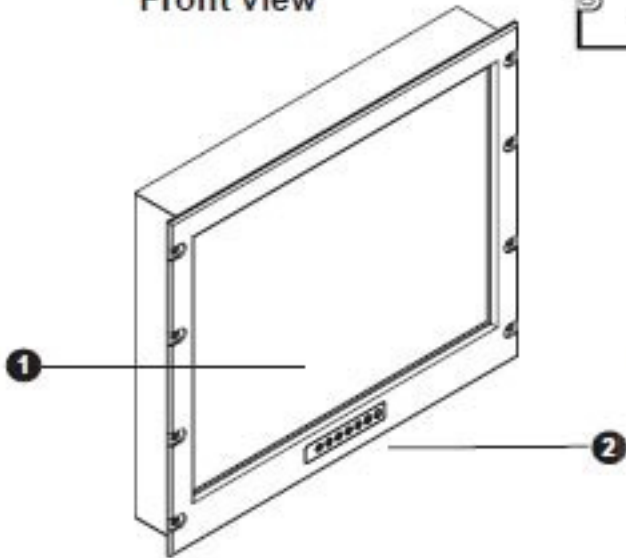
LM9SP20 - 9U 20" SUN LCD Display Panel

Structure Diagram

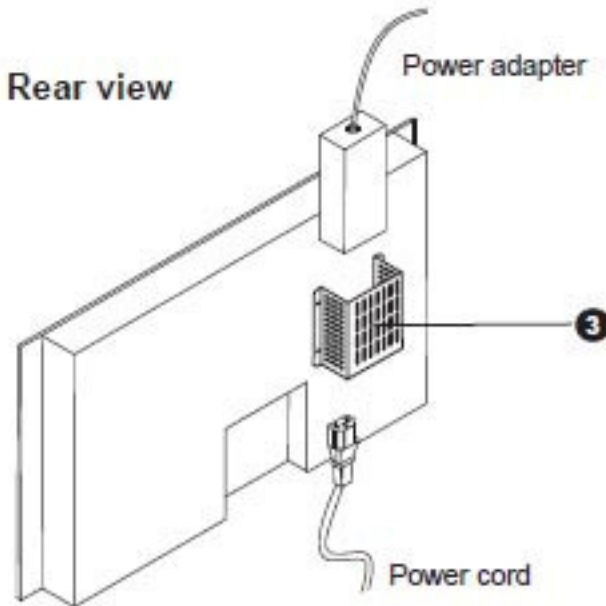
Unit : mm



Front view



Rear view



- ① LCD interchangeable module kit
- ② LCD membrane
- ③ Power adapter bracket

Model	Product Dimension (WxDxH) (in.)	Packing Dimension (WxDxH) (in.)	Gross Weight (kg / lb)	Net Weight (kg / lb)
LM9SP20	18.9 x 2.2 x 14	22.2 x 19.5 x 6.1	10 / 22	8 / 18