

# LMK1B SERIES - 1U RACK MOUNT KEYBOARD DRAWER



- Screen size available in 15" / 17" / 19"
- Single port w/o KVM switch
- Combo (PS/2 and USB) interface input to drawer
- Easy and quick installation (only require 1 man)
- Slide rails w/ fixed positions to prevent drawer movement when typing
- Mix PS/2, USB & SUN w/ multi-platform switch capability

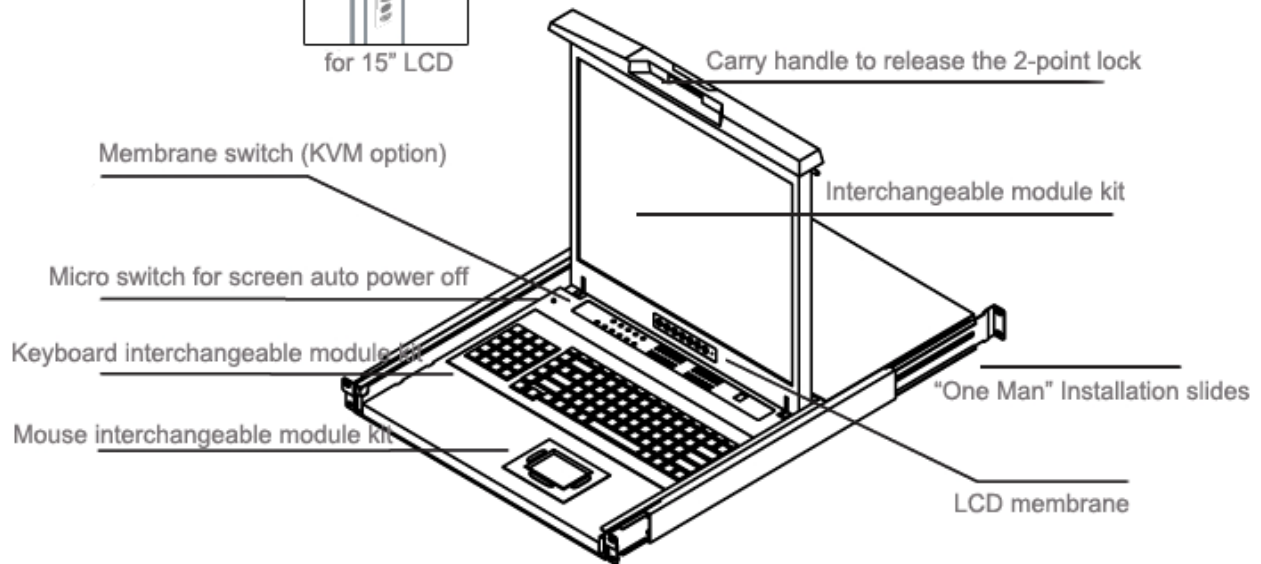
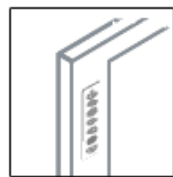
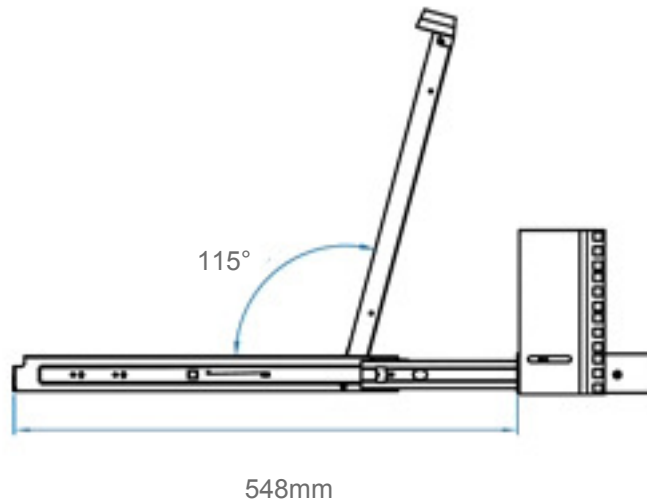
## Specifications

	LMK1B15	LMK1B17	LMK1B19
Max Resolution	1024 x 768	1280 x 1024	
Brightness & Color Support	250 cd/m2 & 16.2M	300 cd/m2 & 16.7M	250 cd/m2 & 16.7M
Contrast Ratio & Viewing Angle	700:1 typ. & 150°H x 135°V	1000:1 typ. & 160°H x 160°V	
Response Time & MTBF	2ms & 50,000hrs	1.3ms & 50,000hrs	
Power Input	Auto-sensing 100 to 240VAC, 50 / 60 Hz		
Power Consumption	Max. 48 Watt, standby 5 Watt		
Compatibility	Mix PCs, SUNs, IBMs, HPs & DELLs		
Combo Console Port	DB-15 connector for VGA / keyboard / mouse		
Plug & Play DDC	EDID 1.3		
VGA Signal Input	Analog RGB, 0.7Vp-p		

## Available Options

Keyboard		
	104-key keyboard w/ <b>trackball</b> PS/2 or combo interface Support multiple languages settings	104-key keyboard w/ <b>touchpad</b> PS/2 or combo interface Support multiple languages settings
DC Power	12V / 24V / 48V	
Graphic Input	DVI-D, BNC & S-Video	
Touchscreen	Capacitive / Resistive (17" and 19" unit will be increased from 1U to 1.5U)	
KVM Switch	Matrix & Combo w/ KVM w/ IP console available	

# LMK1B Series - 1U Rack Mount Keyboard Drawer



Model	Dimension (WxDxH) (in.)	Gross Weight (kg / lb)	Net Weight (kg / lb)
LMK1B15	17.4 x 25.6 x 1.73	21 / 46	15 / 33
LMK1B17	17.4 x 25.6 x 1.73	21 / 46	15 / 33
LMK1B19	17.4 x 25.6 x 1.73	23 / 51	23 / 51