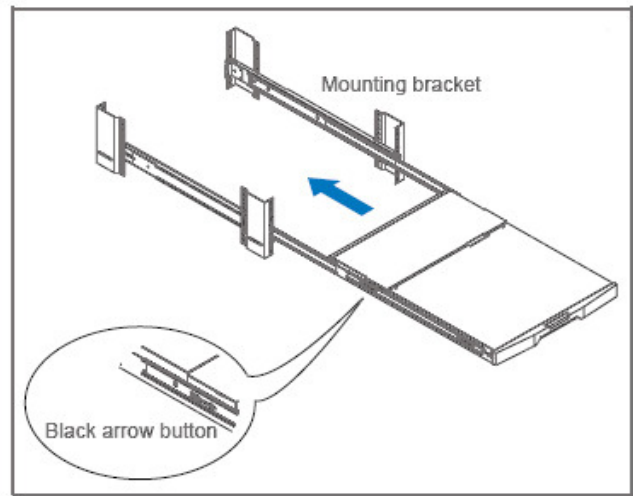
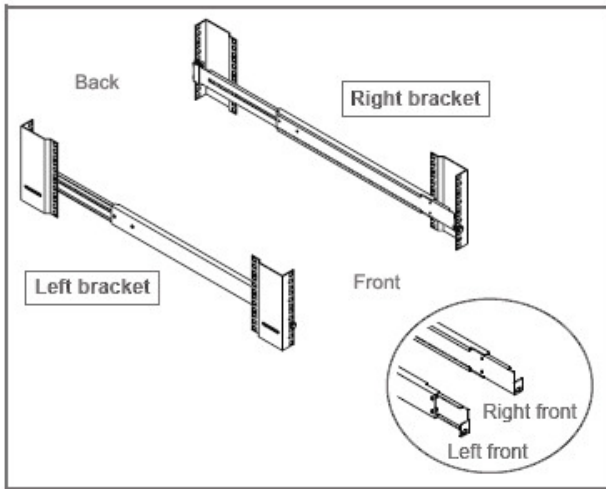


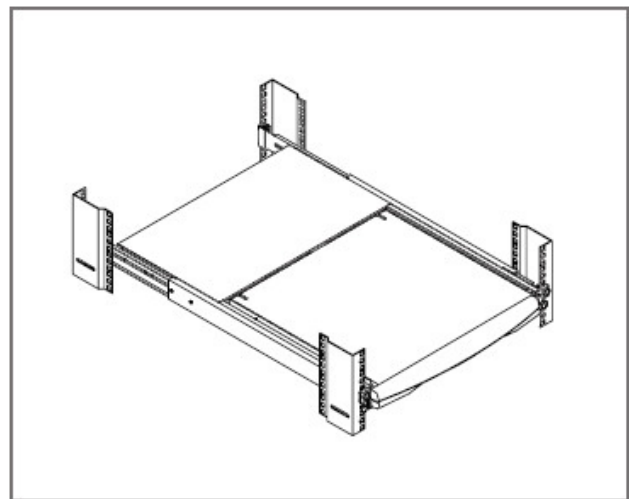
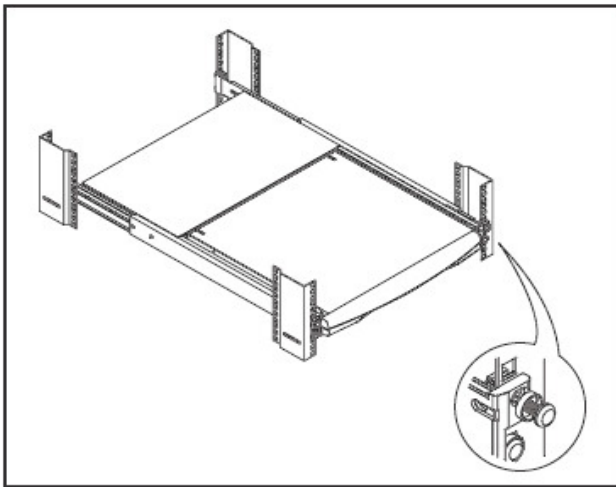
LMK1B Series - Installation and User Guide

To Install the Mounting Brackets and LCD Keyboard Drawer



- To use the screw and cup washer to attach the left and right bracket to mounting rails in a 19" rack
- Adjust the rear mounting bracket to fit the rack
- Remember to leave the screws slightly loose before you complete the last step

- Insert the drawer into the mounting bracket
- Pull and hold the left and right black arrow buttons on the rails
- Return the drawer to the park position

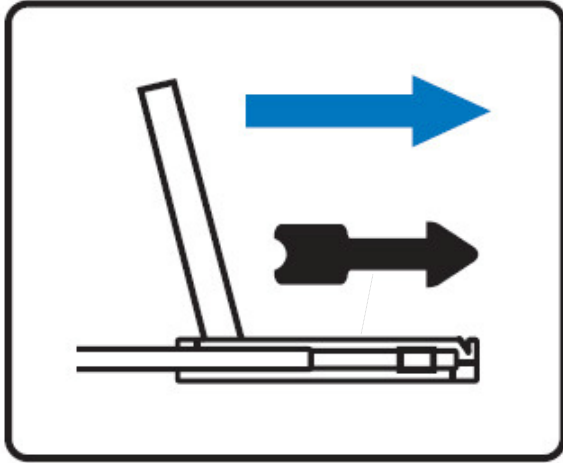


- Use the screw and cup washer to attach the front left and right mounting ears of the drawer to the vertical mounting rails

- Complete the installation by tightening all screws.

LMK1B Series - Installation and User Guide

To Use the Slides



- A black arrow button is located on the outside of each side
- To slide the drawer out, pull and hold the black arrow button to unlock
- To slide the drawer into the rack, just push in.

To Open the LCD Keyboard Drawer



- Gently pull the LCD keyboard drawer out when the carry handle button is pressed
- Flip up the drawer
- Drawer is not ready to operate