

LMK1BD SERIES - 1U 17"/19" RACK MOUNT SHORT DEPTH LCD KEYBOARD DRAWER



- Screen size available in 17" / 19"
- Short depth design of 480mm (18.9") only
- Depth will suit a 600mm rack application
- Single port w/o KVM switch
- Combo (PS/2 and USB) interface input to drawer
- Easy and quick installation (only require 1 man)
- Slide rails w/ fixed positions to prevent drawer movement when typing
- Mix PS/2, USB & SUN w/ multi-platform switch capability

Specifications

	LMK1BD17	LMK1BD19
Max Resolution	1280 x 1024	1280 x 1024
Brightness & Color Support	250 cd/m2 & 16.7M	250 cd/m2 & 16.7M
Contrast Ratio & Viewing Angle	1000:1 typ. & 160°H x 160°V	1000:1 typ. & 160°H x 160°V
Response Time & MTBF	1.3ms & 50,000hrs	1.3ms & 50,000hrs
Power Input	Auto-sensing 100 to 240VAC, 50 / 60 Hz	
Power Consumption	Max. 48 Watt, standby 5 Watt	
Compatibility	Mix PCs, SUNs, IBMs, HPs & DELLs	
Combo Console Port	DB-15 connector for VGA / keyboard / mouse	
Plug & Play DDC	EDID 1.3	
VGA Signal Input	Analog RGB, 0.7Vp-p	

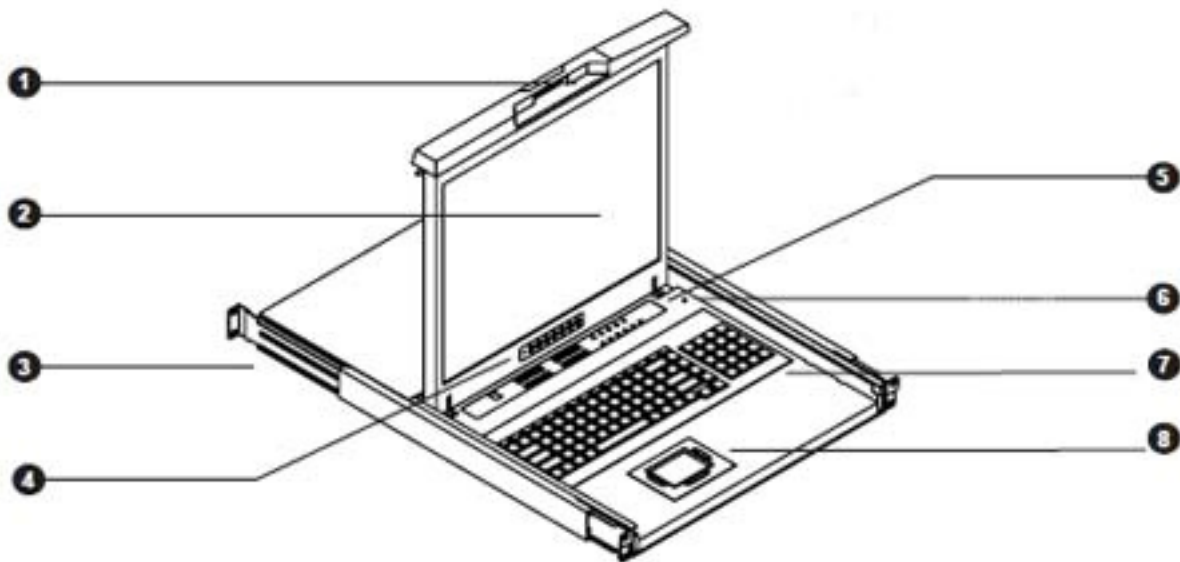
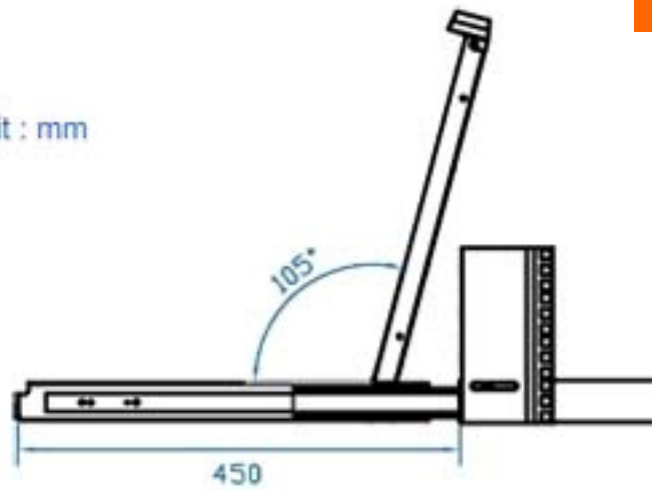
Available Options

Keyboard	 <p>104-key keyboard w/ trackball PS/2 or combo interface Support multiple languages settings</p>	 <p>104-key keyboard w/ touchpad PS/2 or combo interface Support multiple languages settings</p>
DC Power	12V / 24V / 48V	
Graphic Input	DVI-D, BNC & S-Video, HDMI	
Touchscreen	Capacitive / Resistive (17" and 19" unit will be increased from 1U to 1.5U)	
Audio	Audio input and speakers option available	

LMK1BD Series - 1U Rack Mount Short Depth LCD Keyboard Drawer

Structure Diagram

Unit : mm



- ① Carry handle to release the 2-pt lock
- ② LCD interchangeable module kit
- ③ "One Man" Installation Slides
- ④ LCD membrane
- ⑤ Membrane switch (KVM option)
- ⑥ Micro switch for screen auto power off
- ⑦ Keyboard interchangeable module kit
- ⑧ Mouse interchangeable module kit

Model	Product Dimension (WxDxH) (in.)	Packing Dimension (WxDxH) (in.)	Gross Weight (kg / lb)	Net Weight (kg / lb)
LMK1BD17	17.4 x 18.9 x 1.73	22.9 s 27.8 x 6.9	22 / 48	16 / 35
LMK1BD19	17.4 x 18.9 x 1.73	22.9 s 27.8 x 6.9	23 / 51	17 / 37