

LMK1DS17 SERIES - 1U 17" SUN RACK MOUNT DUAL SLIDE LCD KEYBOARD DRAWER



- 1U rackmount dual slide keyboard drawer with 17" LCD
- Support for SUN Micro 1152 x 900 native resolution
- Combo interface with either PS/2 or USB input to the LCD drawer
- 104 key keyboard integrated with touchpad and SUN key support Stop, Cut, Paste, Compose, etc
- Mix PS/2, USB & SUN w/ multi-platform switch capability
- Keyboard with US and UK language selections
- New molded front panel and two point lock

Specifications

Max Resolution	1280 x 1024 (Native) 1152 x 900 (Direct)
Brightness & Color Support	250 cd/m2 & 16.7M
Contrast Ratio & Viewing Angle	1000:1 typ. & 160°H x 160°V
Response Time & MTBF	1.3ms & 50,000hrs
Power Input	Auto-sensing 100 to 240VAC, 50 / 60 Hz
Power Consumption	Max. 48 Watt, standby 5 Watt
Compatibility	Mix PCs, SUNs, IBMs, HPs & DELLs
Combo Console Port	DB-15 connector for VGA / keyboard / mouse Support USB servers or Combo KVM switches
Plug & Play DDC	EDID 1.3
VGA Signal Input	Analog RGB, 0.7Vp-p

Available Options

DC Power	12V / 24V / 48V
Graphic Input	DVI-D, HDMI
KVM Switch	Matrix or Combo KVM w/ IP console available

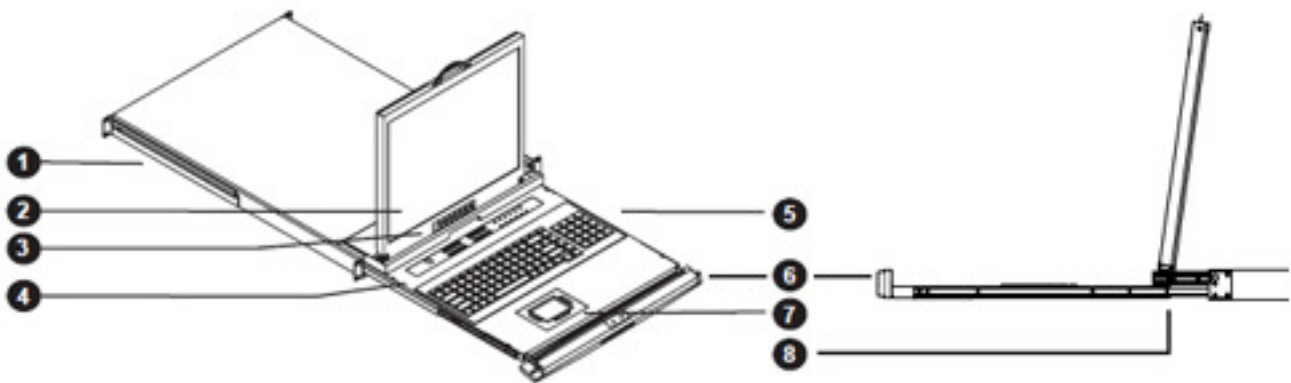
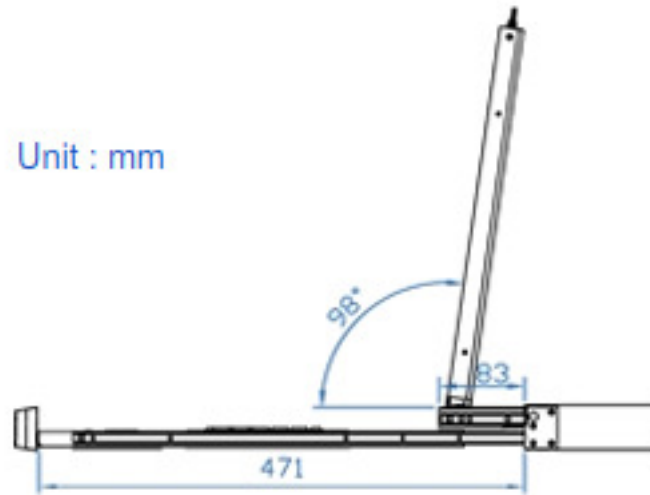
Alternative Images



LMK1DS17 Series - 1U 17" SUN RACK MOUNT DUAL SLIDE LCD KEYBOARD DRAWER

Structure Diagram

Unit : mm



- | | |
|--|--|
| <ul style="list-style-type: none"> ① Adjustable rear mounting L-bracket ② LCD interchangeable module kit ③ LCD membrane ④ Membrane switch (KVM option) | <ul style="list-style-type: none"> ⑤ Keyboard interchangeable module kit ⑥ Carry handle to release the 2-pt lock ⑦ Touchpad mouse module ⑧ 1U dual slide for LCD keyboard drawer |
|--|--|

Model	Product Dimension (WxDxH) (in.)	Packing Dimension (WxDxH) (in.)	Gross Weight (kg / lb)	Net Weight (kg / lb)
LMK1DS17	17.4 x 25.6 x 1.73	23.2 x 33.7 x 6.6	22 / 48	16 / 35