

LMK1L20 SERIES - 1U 20" RACK MOUNT LCD KEYBOARD DRAWER



- 1U 20" TFT screen, 1600 x 1200 max. resolution
- 104 keys keyboard w/ touchpad
- Single port w/o KVM (KVM options available)
- Combo (PS/2 and USB) interface input to drawer
- Easy and quick installation (only require 1 man)
- Mix PS/2, USB & SUN w/ multi-platform switch capability
- Two point lock on front panel

Specifications

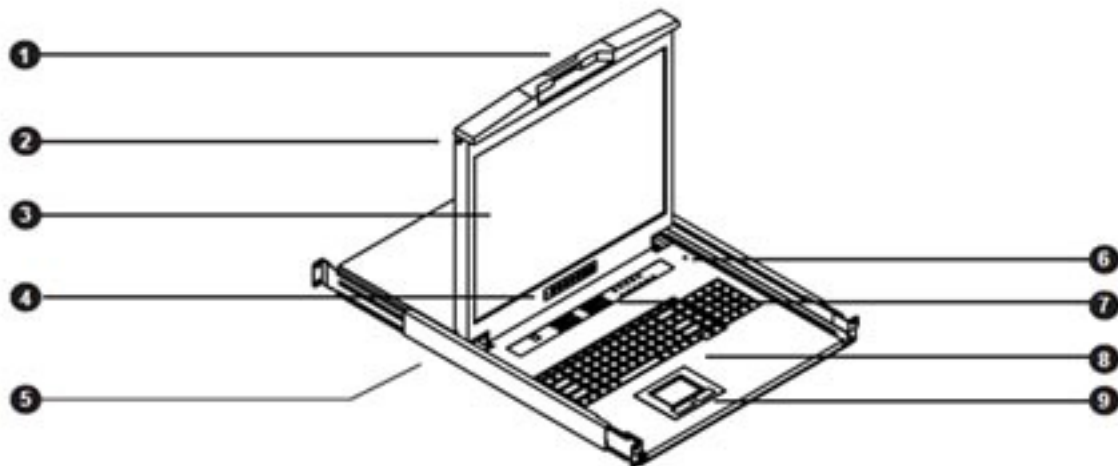
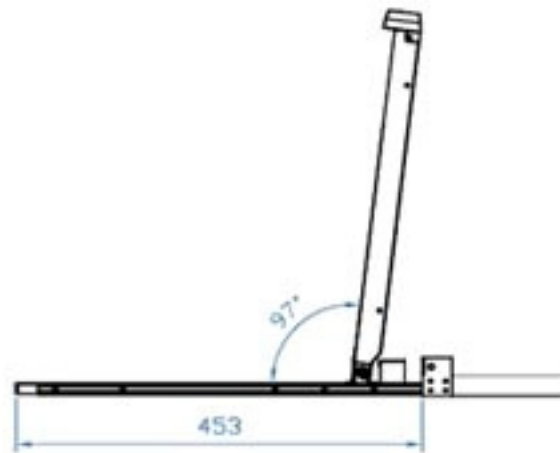
	LMK1L20
Max Resolution	1600 x 1200
Brightness & Color Support	300cd/m ² & 16.7M
Contrast Ratio & Viewing Angle	800:1 typ. & (H/V) 178° x 178°
Response Time & MTBF	7ms & 45,000 hrs
Power Input	Auto-sensing 100 to 240VAC, 50 / 60 Hz
Power Consumption	Max. 48 Watt, standby 5 Watt
Compatibility	Multi-platform - Mix Pcs, SUNs, IBMs, HPs & DELLs
Combo Console Port	DB-15 connector for VGA / keyboard / mouse
Plug & Play DDC	EDID 1.3
VGA Signal Input	Analog RGB, 0.7Vp-p
Temperature	Operation: 0° - 50°C Degrees / Storage -5° - 60°C Degrees
Relative Humidity	5~90%, non-condensing
Shock	10G accedleration (11ms duration)
Vibration	5~500Hz 1G RMS random vibration

Available Options

DC Power	12V / 24V / 48V
Graphic Input	DVI-D, BNC & S-Video, HDMI
Touchscreen	Capacitive / Resistive (17" and 19" unit will be increased from 1U to 1.5U)
KVM Switch	Matrix & Combo w/ KVM w/ IP console available

LMK1L20 Series - 1U 20" Rack Mount LCD Keyboard Drawer

Structure Diagram



- ① Carry handle to release the 2-pt lock
- ② 2-point lock
- ③ LCD interchangeable module kit
- ④ LCD membrane
- ⑤ "One Man" installation slide
- ⑥ Micro switch for screen auto power off
- ⑦ Membrane switch (KVM option)
- ⑧ Keyboard interchangeable module kit
- ⑨ 2 buttons mouse interchangeable module kit

Model	Dimension (WxDxH)	Gross Weight (kg / lb)	Net Weight (kg / lb)
LMK1L20	17.4 x 25.6 x 1.72 in 442 x 650 x 44 mm	26 / 57	20 / 44