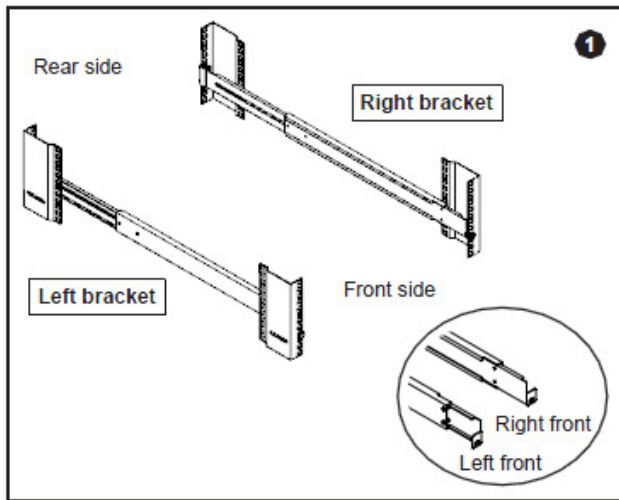
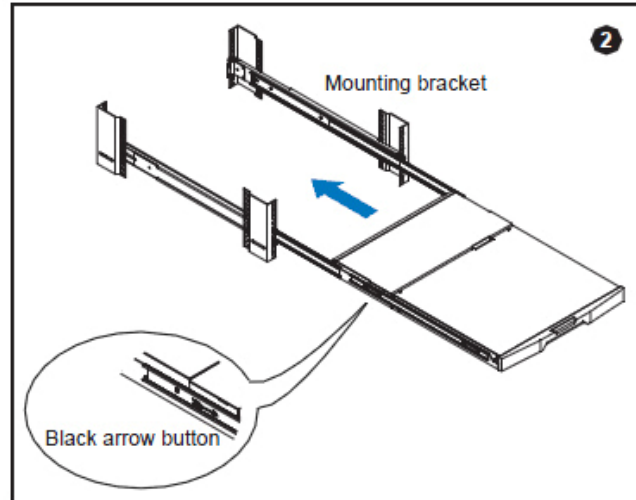


LMK1L20 Series - Installation and User Guide

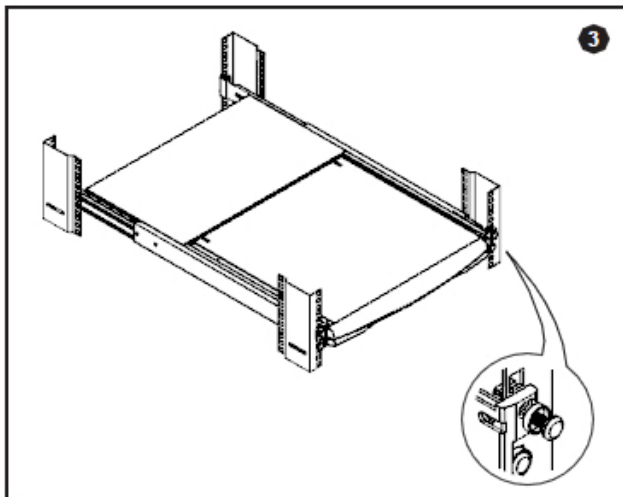
To Install the Mounting Brackets and LCD Keyboard Drawer



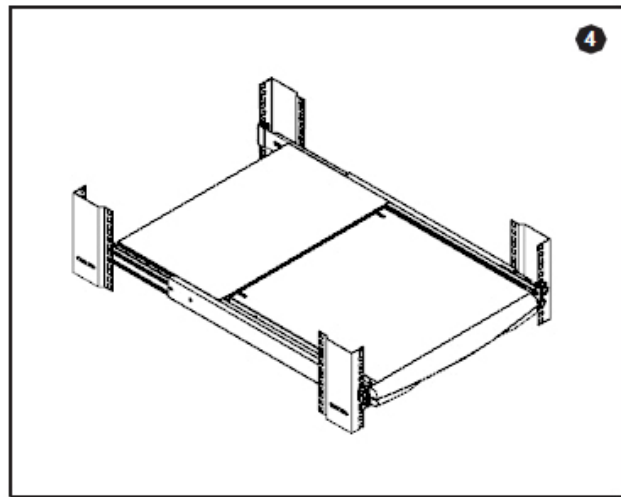
- Attach the left and right mounting bracket to 19" rack mounting rails
- Adjust the rear mounting bracket to fit your rack
- M6 screw and cup washer x 6pcs included
- Remember to leave the screws slightly loose until you complete the installations



- Pick up the LCD keyboard drawer
- Insert the LCD keyboard drawer into the mounting bracket
- Pull and hold the left & right black arrow buttons on the rails
- Return the LCD keyboard drawer to park position



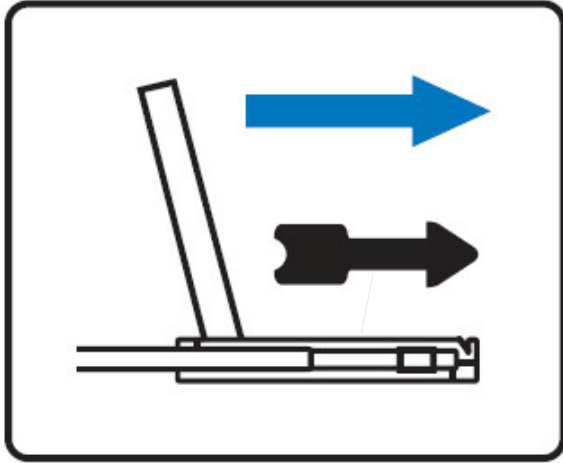
- Attach front left and right mounting ears of the LCD keyboard drawer to vertical mounting rails
- M6 screw and cup washer x 2 pcs included



- Tighten all 8 pcs of M6 screw to complete the installation

LMK1L20 Series - Installation and User Guide

To Use the Slides



- A black arrow button is located on the outside of each side
- Pull and hold the black arrow button on either side of the LCD keyboard drawer to unlock
- Push the LCD keyboard drawer into the rack. (keep your fingers away from the slide stop)

To Open the LCD Keyboard Drawer



- Press the carry handle button. Gently pull the LCD keyboard drawer out when the carry handle button is pressed
- Flip up the LCD
- Drawer is now ready to operate