

LMK1LS20 SERIES - 1U 20" SUN RACK MOUNT LCD KEYBOARD DRAWER



- 1U 20" TFT screen, 1600 x 1200 max. resolution
- Supports SUN Micro 1152 x 900 native resolution
- Single port w/o KVM (KVM options available)
- 104 key keyboard w/ touchpad and SUN keys, including stop, cut, paste, compose, copy and help (USB connection only)
- Combo interface PS/2 or USB input to LCD drawer
- Front panel with two point lock

Specifications

	LMK1LS20
Max Resolution	1600 x 1200 Native / 1152 x 900 (SUN Direct)
Brightness & Color Support	300cd/m ² & 16.7M
Contrast Ratio & Viewing Angle	800:1 typ. & (H/V) 178° x 178°
Response Time & MTBF	7ms & 45,000 hrs
Power Input	Auto-sensing 100 to 240VAC, 50 / 60 Hz
Power Consumption	Max. 48 Watt, standby 5 Watt
Compatibility	Multi-platform - Mix PCs, SUNs, IBMs, HPs & DELLs
Combo Console Port	DB-15 connector for VGA / keyboard / mouse Support USB servers or combo KVM switches
Plug & Play DDC	EDID 1.3
VGA Signal Input	Analog RGB, 0.7Vp-p
Temperature	Operation: 0° - 50°C Degrees / Storage -5° - 60°C Degrees
Relative Humidity	5~90%, non-condensing
Shock	10G acceleration (11ms duration)
Vibration	5~500Hz 1G RMS random vibration

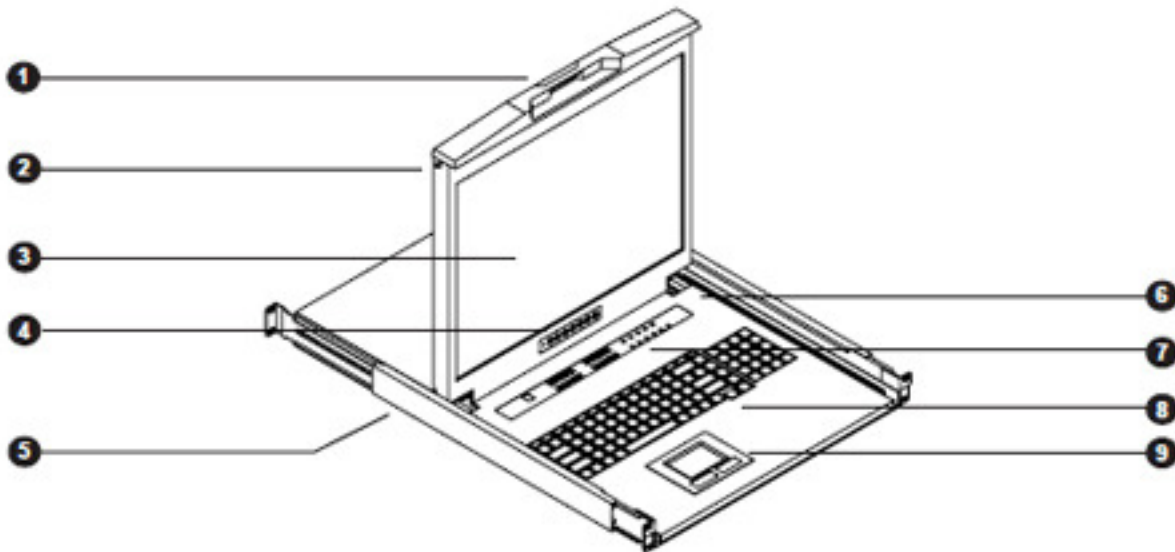
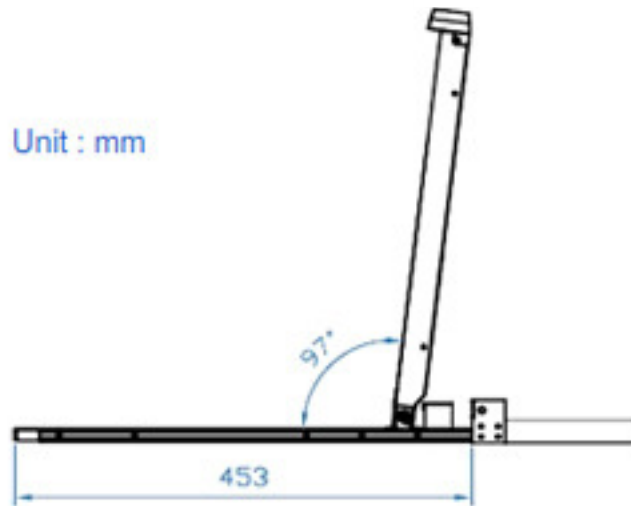
Available Options

DC Power	12V / 24V / 48V
Graphic Input	DVI-D, HDMI
KVM Switch	Matrix & Combo KVM w/ IP console available

LMK1LS20 Series - 1U 20" SUN Rack Mount LCD Keyboard Drawer

Structure Diagram

Unit : mm



- ① Carry handle to release the 2-pt lock
- ② 2-point lock
- ③ LCD interchangeable module kit
- ④ LCD membrane
- ⑤ "One Man" Installation Slide
- ⑥ Micro switch for screen auto power off
- ⑦ Membrane switch (KVM option)
- ⑧ Keyboard interchangeable module kit
- ⑨ 2 buttons mouse interchangeable module kit

Model	Dimension (WxDxH)	Shipping Dimension	Gross Weight (kg / lb)	Net Weight (kg / lb)
LMK1LS20	17.4 x 25.6 x 1.72 in 442 x 650 x 44 mm	23.2 x 33.7 x 6.6 in 589 x 856 x 168 mm	26 / 57	20 / 44