

# LMK2BD SERIES - 2U 17"/19" RACK MOUNT DUAL RAIL SHORT DEPTH LCD KEYBOARD DRAWER



- 2U dual slide LCD keyboard drawer screen sizes available in 17" / 19"
- Short depth design of 480mm (18.9") only
- Depth will suit a 600mm rack application
- Single port w/o KVM switch (KVM switches available)
- Combo (PS/2 and USB) interface input to drawer
- Easy and quick installation (only require 1 man)
- Slide rails w/ fixed positions to prevent drawer movement when typing
- Easy and quick installation

## Specifications

	LMK2BD17	LMK2BD19
Max Resolution	1280 x 1024	1280 x 1024
Brightness & Color Support	250 cd/m2 & 16.7M	250 cd/m2 & 16.7M
Contrast Ratio & Viewing Angle	1000:1 typ. & 160°H x 160°V	1000:1 typ. & 160°H x 160°V
Response Time & MTBF	1.3ms & 50,000hrs	1.3ms & 50,000hrs
Power Input	Auto-sensing 100 to 240VAC, 50 / 60 Hz	
Power Consumption	Max. 48 Watt, standby 5 Watt	
Compatibility	Mix PCs, SUNs, IBMs, HPs & DELLs	
Combo Console Port	DB-15 connector for VGA / keyboard / mouse	
Plug & Play DDC	EDID 1.3	
VGA Signal Input	Analog RGB, 0.7Vp-p	

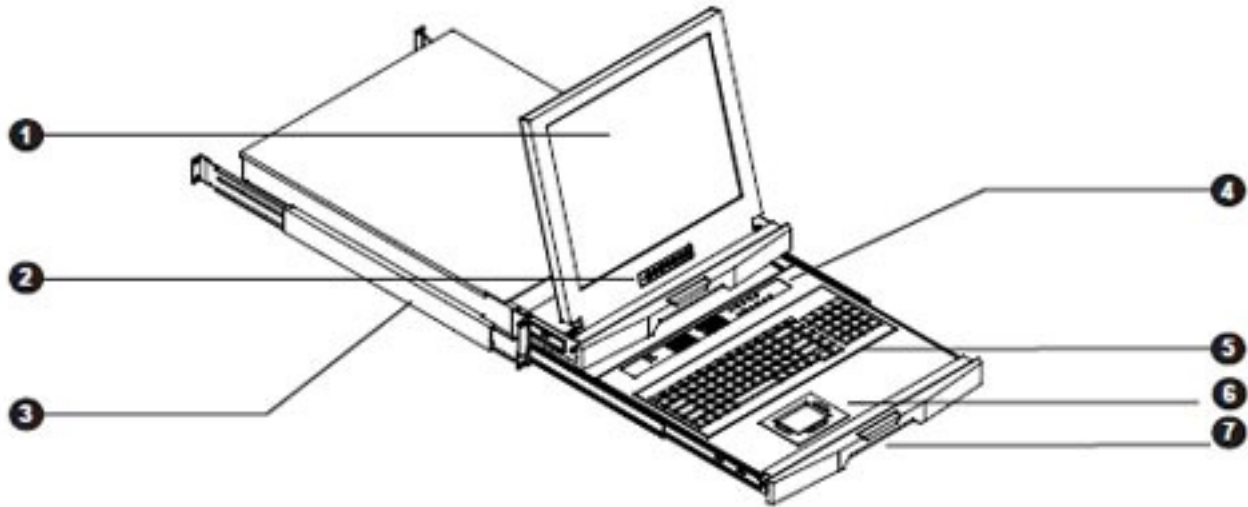
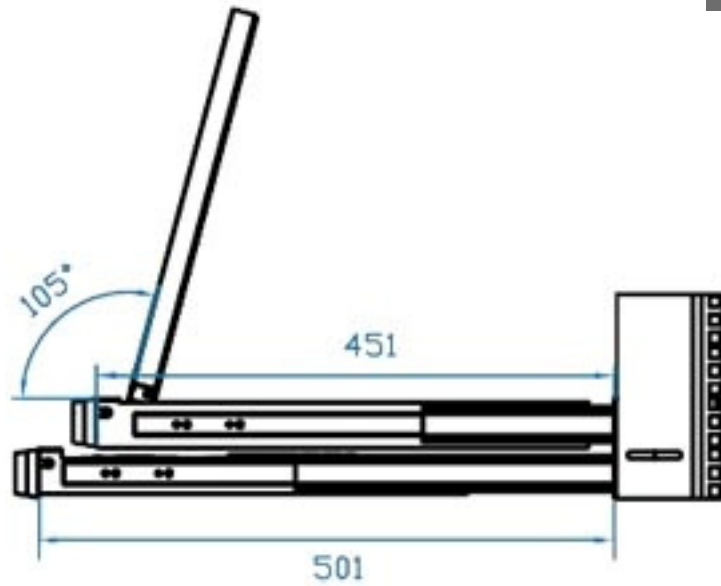
## Available Options

Keyboard	 <p>104-key keyboard w/ <b>trackball</b> PS/2 or combo interface Support multiple languages settings</p>	 <p>104-key keyboard w/ <b>touchpad</b> PS/2 or combo interface Support multiple languages settings</p>
DC Power	12V / 24V / 48V	
Graphic Input	DVI-D, BNC & S-Video, HDMI	
Touchscreen	Capacitive / Resistive (17" and 19" unit will be increased from 1U to 1.5U)	
Audio	Audio input and speakers option available	

# LMK2BD Series - 2U Rack Mount Dual Rail Short Depth LCD Keyboard Drawer

Structure Diagram

Unit : mm



① LCD interchangeable module kit

② LCD membrane

③ "One Man" Installation Slides

④ Membrane switch (KVM option)

⑤ Keyboard interchangeable module kit

⑥ Mouse interchangeable module kit

⑦ Carry handle to release the 2-pt lock

Model	Product Dimension (WxDxH) (in.)	Packing Dimension (WxDxH) (in.)	Gross Weight (kg / lb)	Net Weight (kg / lb)
LMK2BD17	17.4 x 18.9 x 3.5	23 s 24.3 x 8.5	23 / 51	17 / 37
LMK2BD19	17.4 x 18.9 x 3.5	23 s 24.3 x 8.5	24 / 53	18 / 40